

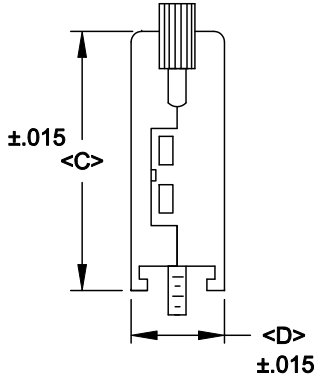
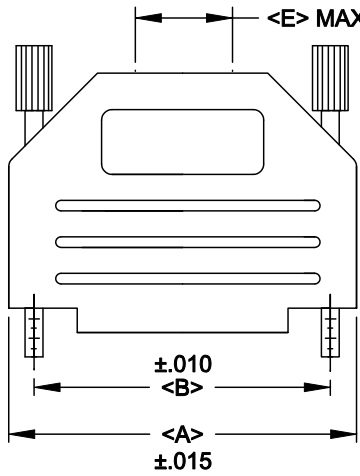
DESCRIPTION: 972 SERIES D-SUB SLIM-LINE BACKSHELL

BACKSHELL KIT INCLUDES:

- (1) BACKSHELL
 - (2) 4-40 THUMBSCREWS
 - (1) PLASTIC STRAIN RELIEF
 - (1) METAL STRAIN RELIEF CLAMP
 - (2) STRAIN RELIEF SCREWS
- TORQUE VALUE ON PLASTIC FOR STRAIN RELIEF SCREWS = 4 INCH POUNDS MAX.

972-YYY-01SRYY1


- SERIES** _____
- POSITIONS** _____
- 009
015
025
037
- MATERIAL** _____
- 01S = PLASTIC/SLIM LINE
- COLOR:** _____
- 01 = BLACK
 - 02 = WHITE
 - 03 = GREY
 - 04 = GREEN
 - 05 = BROWN
 - 06 = RED
 - 07 = BLUE
 - 08 = YELLOW
 - 09 = BEIGE
 - 10 = IVORY
 - 11 = DEC GREY
- PUT-UPS** _____
- 1 = KIT



POS.	A	B	C	D	E
9	1.240	.984	1.339	.591	.315
	31.50	24.99	34.00	15.00	8.00
15	1.575	1.312	1.339	.591	.453
	40.00	33.32	34.00	15.00	11.50
25	2.106	1.852	1.575	.591	.453
	53.50	47.04	40.00	15.00	11.50
37	2.795	2.500	1.575	.591	.453
	71.00	63.50	40.00	15.00	11.50

MATERIAL: POLYAMIDE PA66 - UL 94H-B
MANY COLORS AVAILABLE
THUMBSCREWS: STEEL

OPERATING TEMP: -30°C TO +110°C
RoHS COMPLIANT

	THESE DRAWINGS AND SPECIFICATIONS ARE THE PROPERTY OF NorComp AND SHALL NOT BE REPRODUCED, COPIED OR USED AS THE BASIS FOR THE MANUFACTURE OF SALE OF APPARATUS WITHOUT WRITTEN PERMISSION.		DRAWN: PAM JENKINS	DATE: 6-10-05
			CHECKED:	DATE:
<h1>NorComp</h1>		SCALE:	SHEET 1 OF 1	REV 3
		DWG. NO. 972-YYY-01SRYY1		