

D-SUB PROTECTION CAP

Plastic design – 9-50 pos. – For use with shell size 1-5



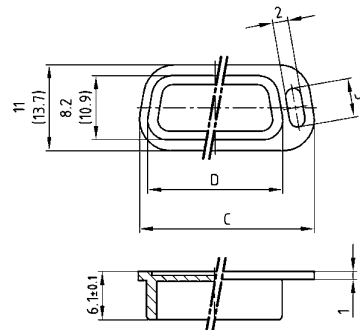
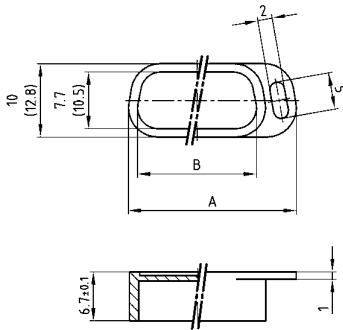
RoHS compliant

DESCRIPTION

- Dust cap protecting connector mounting area
- Material: TPE; UL94 V-0
- Color: Black
- Bulk packaged

FOR SOCKET CONNECTOR

FOR PLUG CONNECTOR



50 pos. = Dim. in (..)



No. of pos.	A	B	C	D
09	22.90	16.20	22.50	16.90
15	31.40	24.70	30.65	25.05
25	44.70	38.00	44.40	38.80
37	61.20	54.50	60.75	55.15
50	58.80	52.10	58.15	52.55

ORDER DATA

PROTECTION CAP FOR SOCKET CONNECTOR		
No. of pos.	Design	Part Number
09	Black / Plastic	160 X 10449 X
15	Black / Plastic	160 X 10459 X
25	Black / Plastic	160 X 10469 X
37	Black / Plastic	160 X 10479 X
50	Black / Plastic	160 X 10959 X

PROTECTION CAP FOR PLUG CONNECTOR		
No. of pos.	Design	Part Number
09	Black / Plastic	160 X 10409 X
15	Black / Plastic	160 X 10419 X
25	Black / Plastic	160 X 10429 X
37	Black / Plastic	160 X 10439 X
50	Black / Plastic	160 X 10969 X