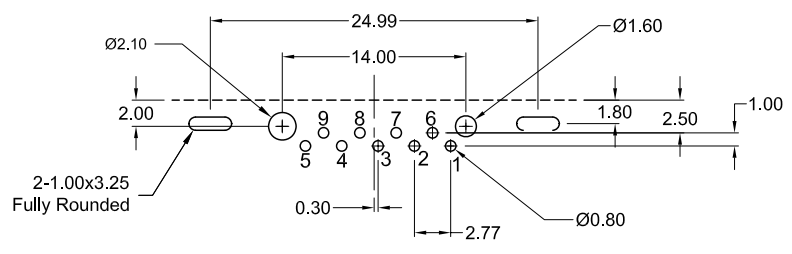
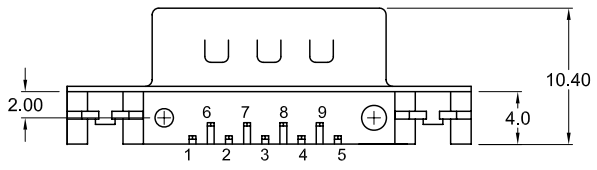
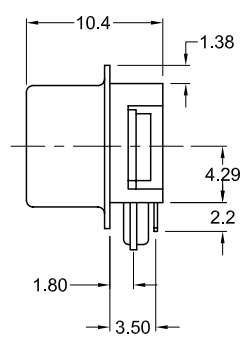
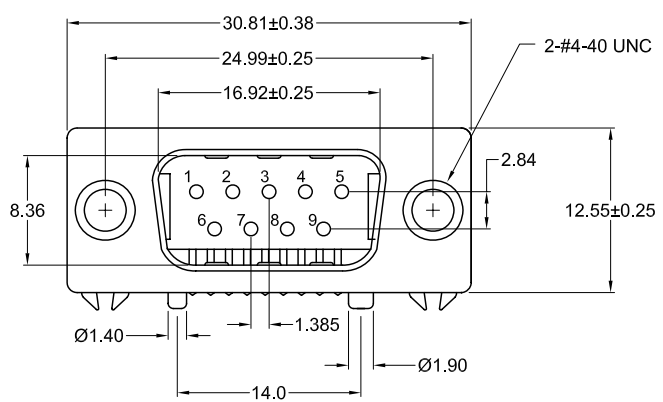


KYCON, Inc. 1810 Little Orchard Street, San Jose, CA 95125 (408)494-0330



Recommended P.C. Board Layout (Top View)

Part Number	Contact Area Plating Finish
K31X-E9P-N	Gold Flash (standard)
K31X-E9P-N15	15u" Gold (15 option)
K31X-E9P-N30	30u" Gold (30 option)

RoHS COMPLIANT
EU Directive 2002/95/EC



Tolerances
X.X ± 0.25
X.XX ± 0.15
Unless Stated
Otherwise

Material and Finish

Shell: Steel, tin plated
 Insert: PBT Thermoplastic, Black Color, 30% Glass Filled, UL 94V-0 Rated
 Contact Material: Plug- Brass
 Contact Plating: Standard: Gold flash over Nickel on contacts, Tin over Nickel on soldertails
 15 Option: 15u" Gold over Nickel on contacts, Tin over Nickel on soldertails
 30 Option: 30u" Gold over Nickel on contacts, Tin over Nickel on soldertails

Electrical Specifications

Rated Current: 2A
 Rated Voltage: 30V RMS
 Withstanding Voltage: 500V (rms) AC for 1 minute
 Insulation Resistance: more than 1000 Megohm at 500v DC
 Contact Resistance: 13 milliohm Max.
 Dielectric Strength: 1000V for 1 minute
 Operating Temperature: -55°C to +105°C

REV.	DATE	DESCRIPTION	REV. BY	CHK. BY	DRAWN BY	DATE
A1	07/07/05	New Drawing	R. Aguirre	H. MA	R. Aguirre	7/07/05
A2	3/6/08	ECO #07-051	S. Vien	H. MA		

K31X-E9P-N

9 pin D-Sub, plug, RoHS Compliant
 Ultra Compact Footprint

