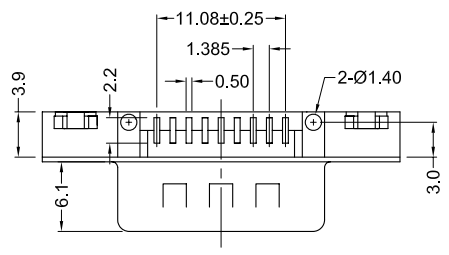
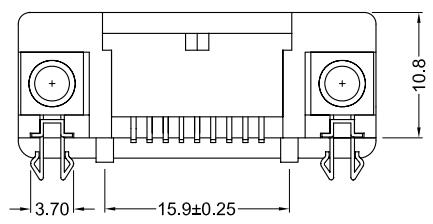
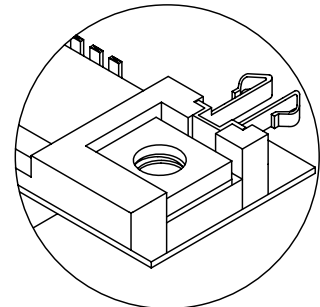


Recommended PCB Layout



Pin Number:
5 9 4 8 3 7 2 6 1



Fork Board Lock Type

Part Number	Plating	Packaging
K202XHT-E9P-N	Flash	Tubes
K202XHT-E9P-N15	15u"	Tubes
K202XHT-E9P-N30	30u"	Tubes
K202XHT-E9P-N-TR	Flash	Tape and Reel
K202XHT-E9P-N15-TR	15u"	Tape and Reel
K202XHT-E9P-N30-TR	30u"	Tape and Reel

Material and Finish

Shell: Steel, nickel plated

Insulator:
high temp. thermoplastic
UL 94V-0 rated
reflow process compatible

Contact Material:
Plug-Phosphor Bronze

Duplex plated as follows:
-30 .000030" [0.00076mm] gold on mating end, tin on termination end, with entire contact nickel
-15 .000015" [0.00038mm] gold on mating end, tin on termination end, with entire contact nickel

(Standard) Gold flash on mating end, tin on termination end, with nickel underplate on entire contact

Electrical Specifications

Rated Current: 2A
Rated Voltage: 30V RMS
Withstanding Voltage:
500V (rms) AC for 1 min
Insulation Resistance:
more than 1000 Mohm at 500v DC
Contact Resistance:
13 mohm Max
Dielectric Strength:
1000V for 1 min
Temperature Rating:
-55°C to +105°C



Tolerances
X.X ± 0.25
X.XX ± 0.15
Unless Stated Otherwise

REV.	DATE	DESCRIPTION	REV. BY	CHK. BY	DRAWN BY	DATE
A1	11/7/05	New Drawing	R. Aguirre	H. MA	R. Aguirre	10/03/05
B1	11/30/07	ECO#07-044	WILL. H	H. MA		
B2	05/20/08	ECO# 08-042	S. Vien	H. MA		

K202XHT-E9P-N

UNITS
mm

D-Sub, Right Angle, RoHS Compliant
Low Profile, 9 Pin Male, SMT

