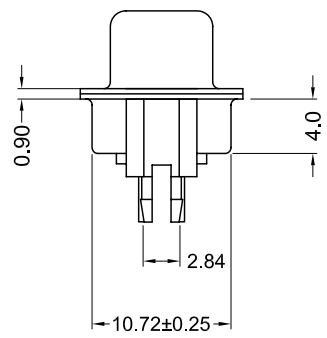
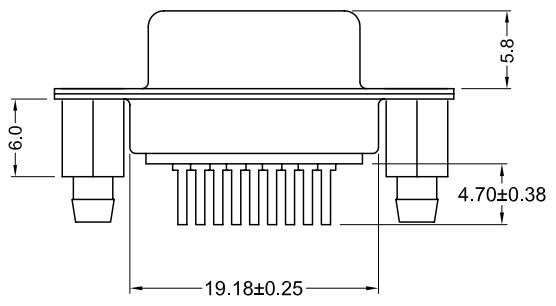
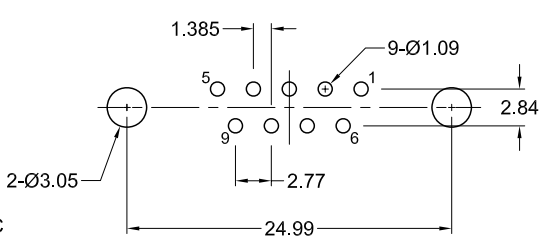


**Recommended PCB Layout**  
(top view)



Part Number	Contact Area Plating Finish
K85X-ED-9S-BR	Gold Flash (standard)
K85X-ED-9S-BR15	15u" Gold (15 option)
K85X-ED-9S-BR30	30u" Gold (30 option)

**Material and Finish**

- Shell: steel, tin plated
- Insulator: PBT with glass-fiber reinforcement, UL 94V-0 rated, color-black
- Contact Material: Socket: Brass
- Contact Plating: Standard: Gold flash on mating end, tin on termination end, with entire contact nickel underplated
- 15 Option: 15u" gold on mating end, tin on termination end, with entire contact nickel underplated
- 30 Option: 30u" gold on mating end, tin on termination end, with entire contact nickel underplated

**Electrical Specifications**

- Rated Current: 2A
- Rated Voltage: 30V RMS
- Withstanding Voltage: 500V (rms) AC for 1 minute
- Insulation Resistance: more than 1000 Megohm at 500V DC
- Contact Resistance: 13 milliohm max.
- Dielectric Strength: 1000V for 1 minute
- Operating Temperature: -55°C to +105°C



Tolerances
X.X ± 0.25
X.XX ± 0.15
Unless Stated Otherwise

REV.	DATE	DESCRIPTION	REV. BY	CHK. BY	DRAWN BY	DATE
A1	11/11/05	New Drawing	R. Aguirre	H. MA	R. Aguirre	11/11/05
A2	1/9/06	ECO #07-052	WILL H.	H. MA		

**K85X-ED-9S-BR**

Vertical PCB Mount D-Sub  
9 Pin Female, RoHS Compliant

