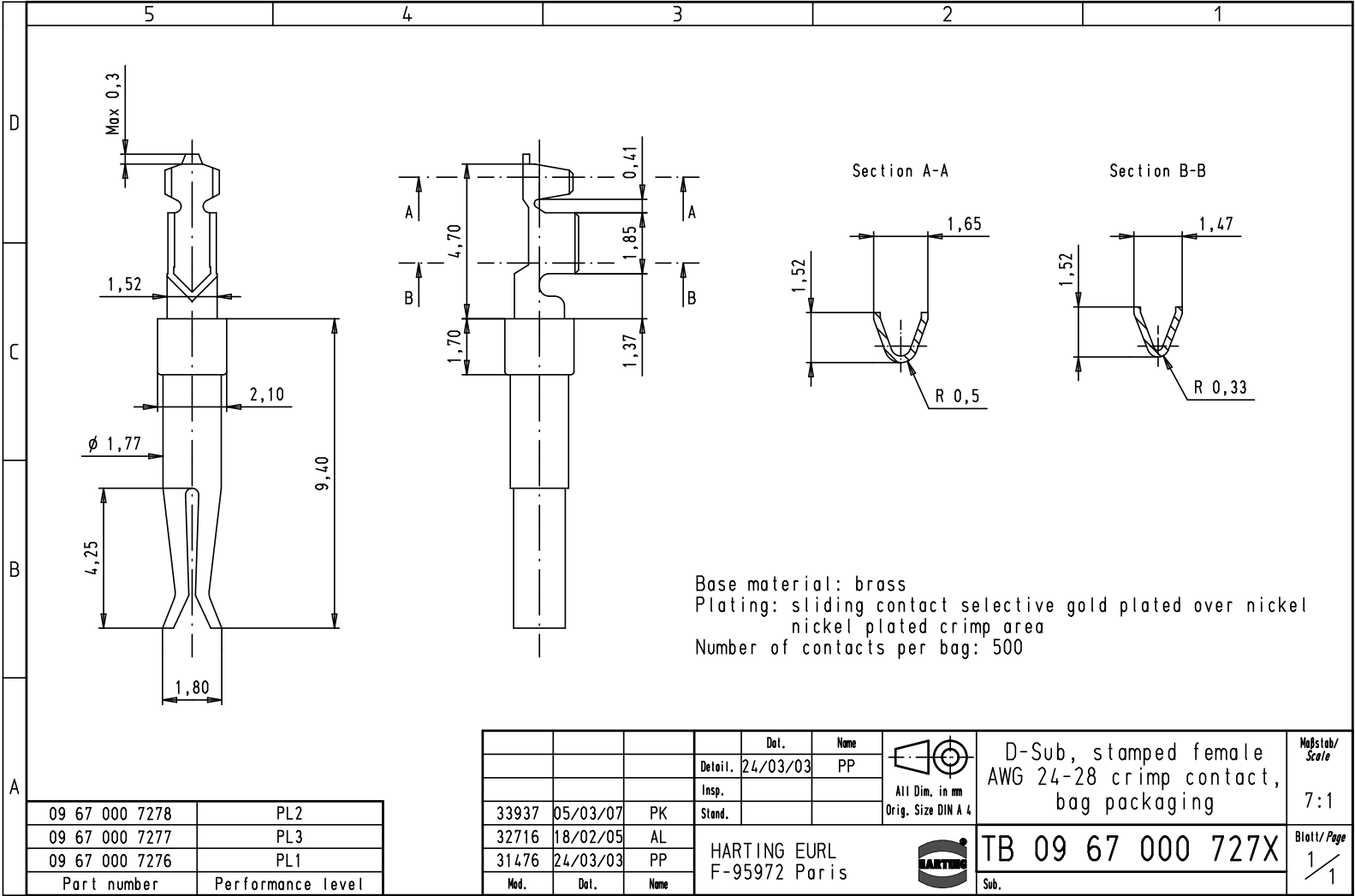




Alle Rechte vorbehalten/ All rights reserved



Base material: brass
 Plating: sliding contact selective gold plated over nickel
 nickel plated crimp area
 Number of contacts per bag: 500

09 67 000 7278	PL2
09 67 000 7277	PL3
09 67 000 7276	PL1
Part number	Performance level

				Det.	Name	 All Dim. in mm Orig. Size DIN A 4	D-Sub, stamped female AWG 24-28 crimp contact, bag packaging	Maßstab/ Scale 7:1
			Detail.	24/03/03	PP			
			Insp.					
33937	05/03/07	PK	Stand.				TB 09 67 000 727X	Blatt/ Page 1 / 1
32716	18/02/05	AL						
31476	24/03/03	PP						
Mod.	Det.	Name	HARTING EURL F-95972 Paris			Sub.		