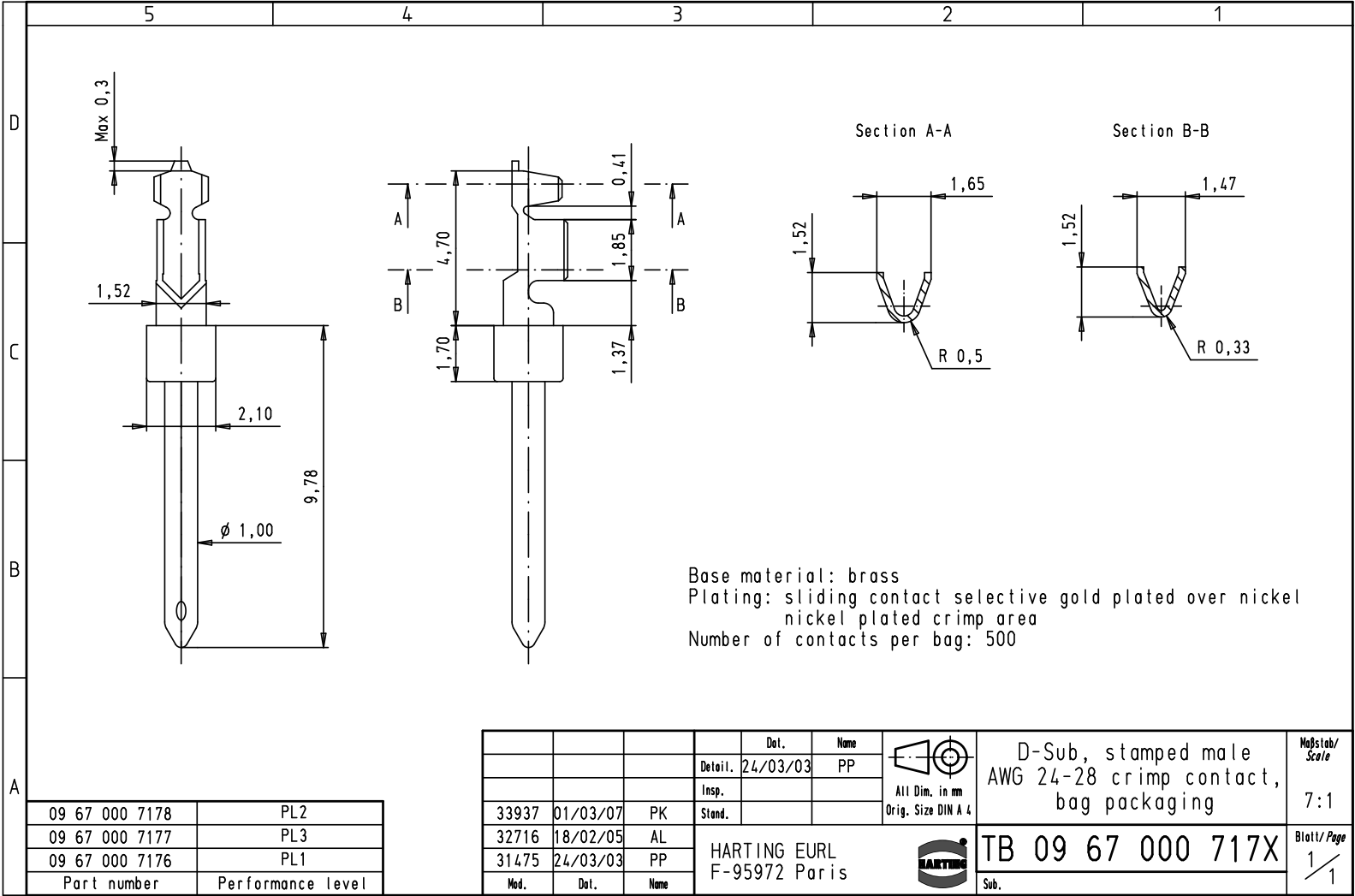


Alle Rechte vorbehalten/ All rights reserved



Base material: brass  
 Plating: sliding contact selective gold plated over nickel  
 nickel plated crimp area  
 Number of contacts per bag: 500

09 67 000 7178	PL2
09 67 000 7177	PL3
09 67 000 7176	PL1
Part number	Performance level

Mod.	Del.	Name	Det.	Name
			24/03/03	PP
			Insp.	
33937	01/03/07	PK	Stand.	
32716	18/02/05	AL		
31475	24/03/03	PP		
			HARTING EURL F-95972 Paris	



D-Sub, stamped male  
 AWG 24-28 crimp contact,  
 bag packaging

Maßstab/  
 Scale  
 7:1

TB 09 67 000 717X  
 Sub.

Blatt/ Page  
 1/1