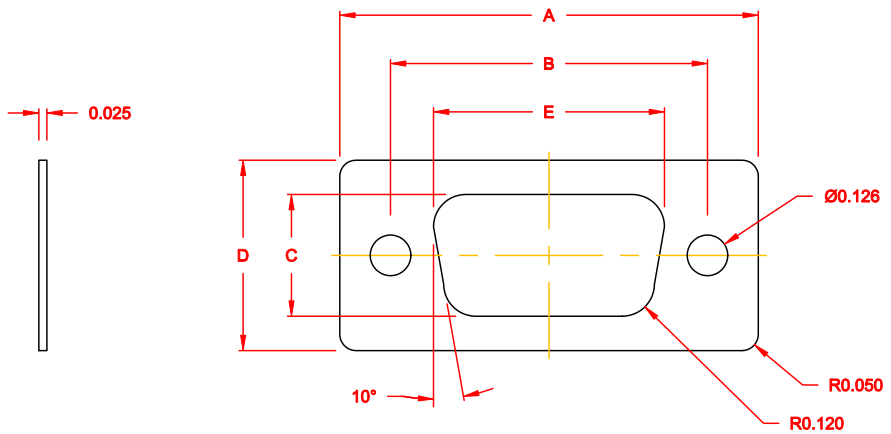


DESCRIPTION: SEALING FLANGE


MATERIAL: 0.031" THICK SILICONE  
UL94-HB



SERIES **SF67 YY**  
SHELL SIZE

SHELL SIZE	DIMENSIONS				
	A	B	C	D	E
9	1.299	0.984	0.378	0.591	0.717
	32.99	24.99	9.60	15.01	18.21
15	1.614	1.311	0.378	0.591	1.039
	41.00	33.30	9.60	15.01	26.39
25	2.165	1.850	0.378	0.591	1.583
	54.99	46.99	9.60	15.01	40.21
37	2.835	2.500	0.378	0.591	2.228
	72.01	63.50	9.60	15.01	56.59
50	2.758	2.406	0.488	0.709	2.134
	70.05	61.11	12.40	18.01	54.20

DO NOT SCALE FROM DRAWING

	THESE DRAWINGS AND SPECIFICATIONS ARE THE PROPERTY OF NorComp AND SHALL NOT BE REPRODUCED, COPIED OR USED AS THE BASIS FOR THE MANUFACTURE OF SALE OF APPARATUS WITHOUT WRITTEN PERMISSION.	DRAWN: <b>C. SMITH</b> CHECKED:	DATE: <b>08-14-08</b> DATE:
	<b>NorComp</b>	SCALE: <b>2:1</b>	SHEET <b>1</b> OF <b>1</b>
		DWG NO. <b>SF67YY</b>	

RoHS COMPLIANT