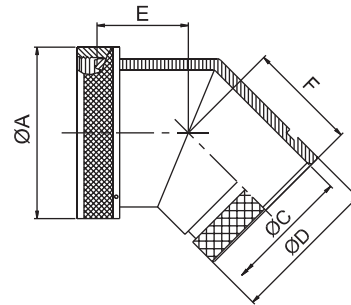
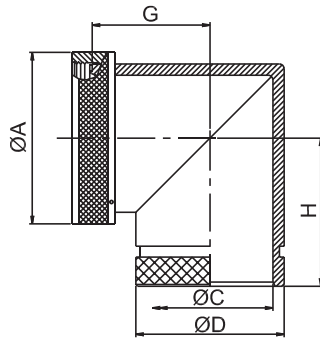
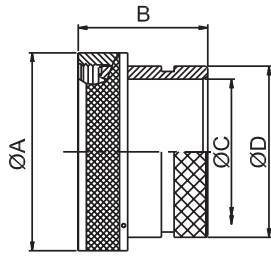


Connector Group - J

Straight, 90°, 45°



MIL Part Number

M85049 / 99-9 X 9

MIL Series

Dash Number:
See Table-A

Finish:
See Table-2

Slash sheet
60-1: Straight, spin coupling

NOTE: * For more cable entry and length options, contact factory

TABLE - A										
AMPHENOL PART NUMBER DESIGNATOR	MIL PART NUMBER DESIGNATOR	CONNECTOR SHELL SIZE	A DIA. (MAX)		B (MAX)		C DIA. (MIN)		D DIA. (MAX)	
			INCH	MM	INCH	MM	INCH	MM	INCH	MM
08	08	8	0.62	15.67	1.19	30.15	0.25	6.35	0.53	13.54
10	10	10	0.73	18.64	1.19	30.15	0.36	9.02	0.61	15.37
12	12	7/12	0.86	21.79	1.19	30.15	0.49	12.47	0.77	19.66
14	14	12/14	0.98	24.99	1.19	30.15	0.57	14.35	0.84	21.29
16	16	19/16	1.11	28.24	1.19	30.15	0.69	17.53	0.96	24.46
18	18	27/18	1.22	30.94	1.19	30.15	0.77	19.53	1.04	26.47
20	20	37/20	1.35	34.16	1.19	30.15	0.89	22.71	1.22	30.91
22	22	22	1.47	37.29	1.19	30.15	1.02	25.88	1.36	34.42
24	24	24	1.59	40.46	1.19	30.15	1.13	28.80	1.44	36.65
28	28	28	1.97	50.01	1.51	38.38	1.37	34.77	1.71	43.41
32	32	32	2.22	56.36	1.51	38.38	1.62	41.02	1.92	48.74
36	36	36	2.47	62.71	1.51	38.38	1.83	46.48	2.17	55.09
40	40	40	2.72	69.06	1.51	38.38	2.05	51.94	2.40	61.01
44	44	44	2.97	75.41	1.51	38.38	2.30	58.42	2.66	67.49
48	48	48	3.22	81.76	1.51	38.38	2.55	64.77	2.91	73.84

Table Continued



Connector Group - J

Straight, 90°, 45°

TABLE - A										
AMPHENOL PART NUMBER DESIGNATOR	MIL PART NUMBER DESIGNATOR	CONNECTOR SHELL SIZE	E (MAX)		F (MAX)		G (MAX)		H (MAX)	
			SHELL SIZE	DASH NO	INCH	MM	INCH	MM	INCH	MM
08	08	8	0.64	16.23	0.81	20.57	0.75	19.05	0.92	23.37
10	10	10	0.66	16.87	0.84	21.34	0.81	20.57	0.98	24.89
12	12	7/12	0.69	17.48	0.86	21.84	0.87	22.10	1.04	26.42
14	14	12/14	0.71	17.91	0.89	22.61	0.92	23.37	1.11	28.19
16	16	19/16	0.73	18.59	0.91	23.11	0.98	24.89	1.17	29.72
18	18	27/18	0.75	19.00	0.92	23.37	1.02	25.91	1.19	30.23
20	20	37/20	0.77	19.63	0.94	23.88	1.08	27.43	1.25	31.75
22	22	22	0.80	20.32	0.98	24.89	1.14	28.96	1.33	33.78
24	24	24	0.82	20.90	1.01	25.65	1.20	30.48	1.40	35.56
28	28	28	1.04	26.44	1.18	29.97	1.48	37.59	1.64	41.66
32	32	32	1.09	27.74	1.37	34.80	1.61	40.89	1.88	47.75
36	36	36	-----	-----	-----	-----	-----	-----	-----	-----
40	40	40	-----	-----	-----	-----	-----	-----	-----	-----
44	44	44	-----	-----	-----	-----	-----	-----	-----	-----
48	48	48	-----	-----	-----	-----	-----	-----	-----	-----

