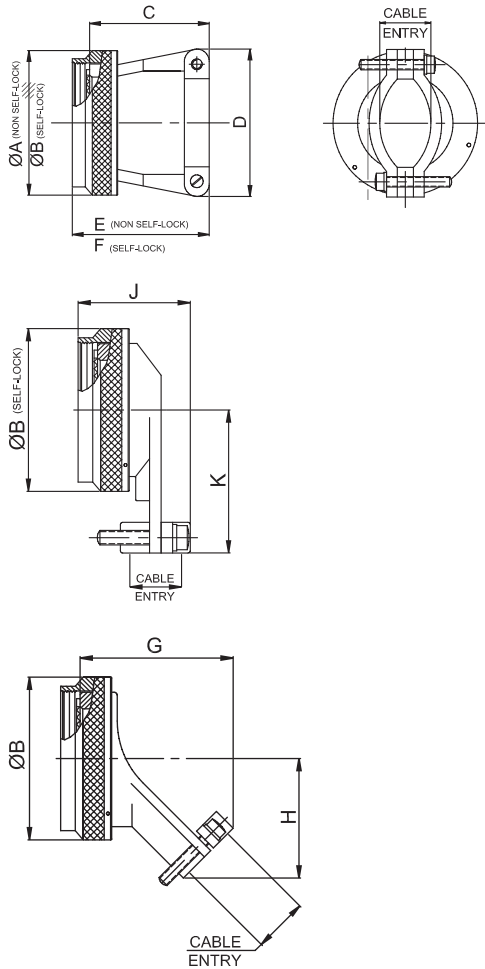
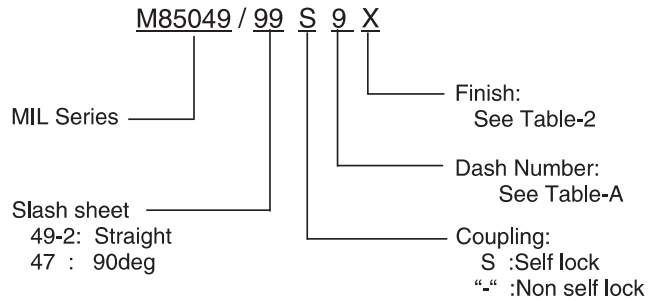


Connector Group - K

Straight, 90°, 45°



MIL Part Number



**NOTE:** \* For more cable entry and length options, contact factory

| AMPHENOL PART NUMBER DESIGNATOR | MIL PART NUMBER DESIGNATOR | CONNECTOR SHELL SIZE | A DIA.( MAX) |       | B DIA.( MAX) |       | C (MAX) |       | D (MAX) |       | E (MAX) |       | F (MAX) |       |
|---------------------------------|----------------------------|----------------------|--------------|-------|--------------|-------|---------|-------|---------|-------|---------|-------|---------|-------|
|                                 |                            |                      | INCH         | MM    | INCH         | MM    | INCH    | MM    | INCH    | MM    | INCH    | MM    | INCH    | MM    |
| 08                              | 08                         | 8                    | 0.62         | 15.67 | 0.89         | 22.48 | 0.63    | 16.00 | 0.73    | 18.54 | 1.32    | 33.53 | 0.77    | 19.61 |
| 10                              | 10                         | 10                   | 0.73         | 18.64 | 1.01         | 25.65 | 0.74    | 18.80 | 0.85    | 21.59 | 1.36    | 34.65 | 0.80    | 20.40 |
| 12                              | 12                         | 7/12                 | 0.86         | 21.79 | 1.14         | 28.83 | 0.86    | 21.84 | 0.98    | 24.89 | 1.44    | 36.53 | 0.87    | 22.00 |
| 14                              | 14                         | 12/14                | 0.98         | 24.99 | 1.26         | 32.00 | 0.86    | 21.84 | 0.98    | 24.89 | 1.48    | 37.59 | 0.93    | 23.57 |
| 16                              | 16                         | 19/16                | 1.11         | 28.24 | 1.39         | 35.18 | 0.99    | 25.15 | 1.10    | 27.94 | 1.59    | 40.28 | 0.99    | 25.17 |
| 18                              | 18                         | 27/18                | 1.22         | 30.94 | 1.51         | 38.35 | 1.24    | 31.50 | 1.35    | 34.29 | 1.70    | 43.28 | 1.11    | 28.19 |
| 20                              | 20                         | 37/20                | 1.35         | 34.16 | 1.64         | 41.53 | 1.36    | 34.54 | 1.48    | 37.59 | 1.75    | 44.40 | 1.17    | 29.77 |
| 22                              | 22                         | 22                   | 1.47         | 37.29 | 1.76         | 44.70 | 1.49    | 37.85 | 1.60    | 40.64 | 1.79    | 45.52 | 1.24    | 31.37 |
| 24                              | 24                         | 24                   | 1.59         | 40.46 | 1.89         | 47.88 | 1.61    | 40.89 | 1.73    | 43.94 | 1.84    | 46.63 | 1.30    | 32.94 |
| 28                              | 28                         | 28                   | 1.97         | 50.01 | 2.14         | 54.23 | 1.76    | 44.70 | 1.88    | 47.75 | 1.96    | 49.81 | 1.54    | 39.19 |
| 32                              | 32                         | 32                   | 2.22         | 56.36 | 2.40         | 60.83 | 1.95    | 49.53 | 2.13    | 54.10 | 2.05    | 52.04 | 1.67    | 42.37 |
| 36                              | 36                         | 36                   | 2.47         | 62.71 | 2.64         | 66.93 | 2.33    | 59.18 | 2.44    | 61.98 | 2.09    | 53.16 | 1.79    | 45.54 |
| 40                              | 40                         | 40                   | 2.72         | 69.06 | 2.89         | 73.28 | 2.51    | 63.75 | 2.63    | 66.80 | 2.09    | 53.19 | 1.92    | 48.72 |
| 44                              | 44                         | 44                   | 2.97         | 75.41 | 3.14         | 79.63 | 2.89    | 73.41 | 3.00    | 76.20 | 2.36    | 59.94 | 2.13    | 54.15 |
| 48                              | 48                         | 48                   | 3.22         | 81.76 | 3.39         | 85.98 | 3.26    | 82.80 | 3.40    | 86.36 | 2.45    | 62.18 | 2.26    | 57.33 |

Table Continued

Connector Group - K

Straight, 90°, 45°

| TABLE - A                             |                                  |                                 |            |         |         |       |         |       |             |       |      |       |
|---------------------------------------|----------------------------------|---------------------------------|------------|---------|---------|-------|---------|-------|-------------|-------|------|-------|
| AMPHENOL<br>PART NUMBER<br>DESIGNATOR | MIL PART<br>NUMBER<br>DESIGNATOR | CONNECTOR<br>SHELL SIZE<br>SIZE | G (MAX )   |         | H (MAX) |       | M (MAX) |       | CABLE ENTRY |       |      |       |
|                                       |                                  |                                 | SHELL SIZE | DASH NO | INCH    | MM    | INCH    | MM    | INCH        | MM    | MAX  |       |
| INCH                                  | MM                               | INCH                            |            |         |         |       |         |       |             |       | MM   | INCH  |
| 08                                    | 08                               | 8                               | 0.93       | 23.62   | 0.75    | 18.95 | 0.78    | 19.86 | 0.20        | 5.18  | 0.13 | 3.18  |
| 10                                    | 10                               | 10                              | 1.02       | 25.91   | 0.81    | 20.45 | 0.86    | 21.89 | 0.29        | 7.26  | 0.19 | 4.75  |
| 12                                    | 12                               | 7/12                            | 1.21       | 30.73   | 0.87    | 22.02 | 1.00    | 25.48 | 0.42        | 10.57 | 0.29 | 7.39  |
| 14                                    | 14                               | 12/14                           | 1.27       | 32.26   | 0.93    | 23.62 | 1.06    | 26.95 | 0.48        | 12.09 | 0.35 | 8.92  |
| 16                                    | 16                               | 19/16                           | 1.42       | 36.07   | 0.99    | 25.25 | 1.33    | 33.88 | 0.63        | 15.90 | 0.50 | 12.73 |
| 18                                    | 18                               | 27/18                           | 1.53       | 38.86   | 1.17    | 29.74 | 1.47    | 37.24 | 0.71        | 17.93 | 0.52 | 13.16 |
| 20                                    | 20                               | 37/20                           | 1.65       | 41.91   | 1.23    | 31.34 | 1.57    | 39.93 | 0.83        | 21.11 | 0.58 | 14.76 |
| 22                                    | 22                               | 22                              | 1.78       | 45.21   | 1.30    | 32.92 | 1.69    | 42.88 | 0.96        | 24.28 | 0.64 | 16.36 |
| 24                                    | 24                               | 24                              | 1.90       | 48.26   | 1.36    | 34.49 | 1.79    | 45.47 | 1.08        | 27.46 | 0.71 | 17.93 |
| 28                                    | 28                               | 28                              | 2.20       | 55.88   | 1.57    | 39.93 | 2.04    | 51.69 | 1.19        | 30.15 | 0.75 | 19.05 |
| 32                                    | 32                               | 32                              | 2.27       | 57.66   | 1.80    | 45.64 | 2.39    | 60.60 | 1.25        | 31.75 | 0.88 | 22.23 |
| 36                                    | 36                               | 36                              | 2.39       | 60.71   | 1.92    | 48.82 | 2.50    | 63.40 | 1.38        | 34.93 | 0.94 | 23.83 |
| 40                                    | 40                               | 40                              | 2.52       | 64.01   | 2.05    | 51.99 | 2.57    | 65.18 | 1.50        | 38.10 | 0.94 | 23.83 |
| 44                                    | 44                               | 44                              | 2.77       | 70.36   | 2.30    | 58.32 | 2.86    | 72.64 | 1.75        | 44.45 | 1.19 | 30.18 |
| 48                                    | 48                               | 48                              | 2.89       | 73.41   | 2.42    | 61.49 | 3.34    | 84.94 | 1.88        | 47.63 | 1.31 | 33.32 |

