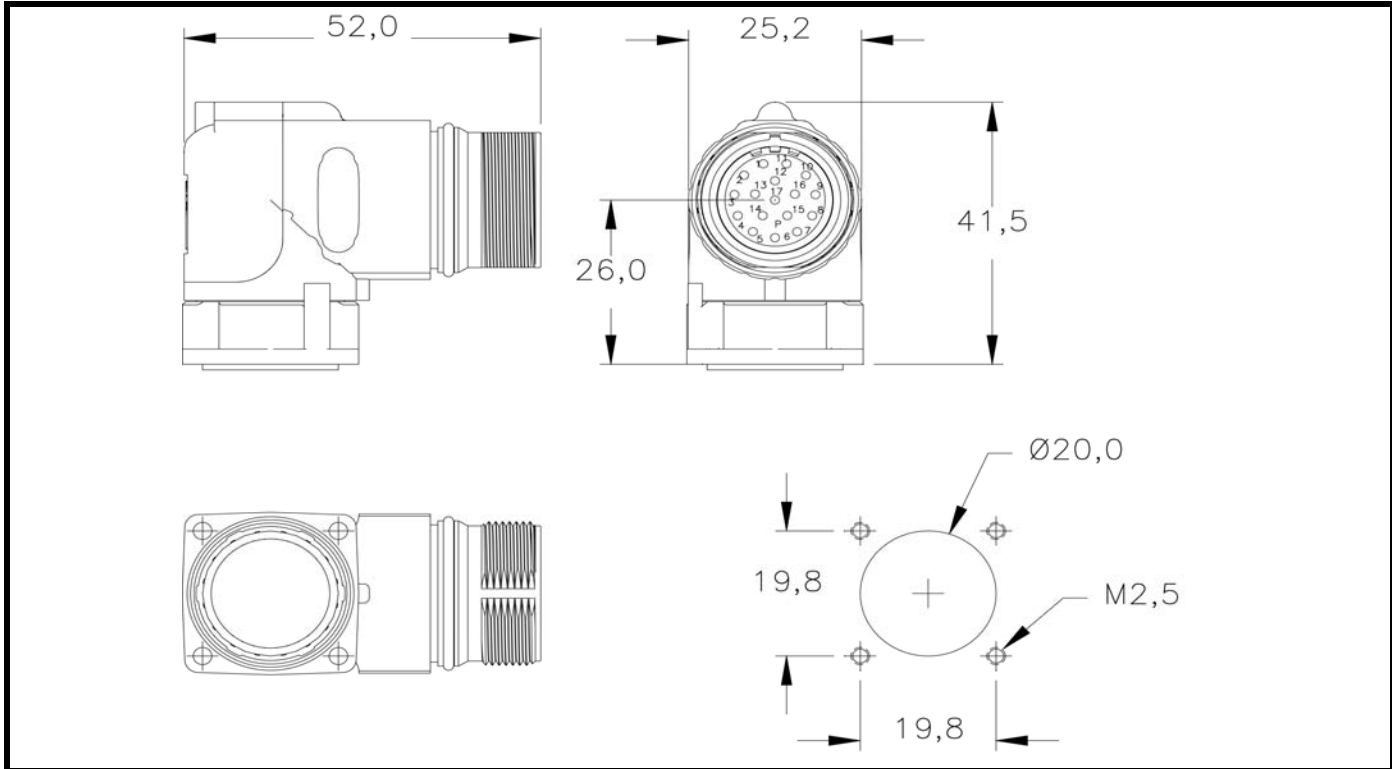


CONFIGURATION	PART NUMBER	LENGTH
Rotatable 90° Receptacle, 17 Pos	MA1RAP1700	NA

DIMENSIONS



TECHNICAL DATA

TEMPERATURE RANGE:	-20C to +130C
PROTECTION:	IP 67 (Plugged Condition)
DEGREE OF PROTECTION:	3
OVER VOLTAGE CATEGORY:	III
HOUSING BODY:	ZINC DIE-CAST
COUPLING NUT:	BRASS, NICKEL-PLATED
INSULATION INSERTS:	PA66, UL 94 / VO
CONTACTS:	BRASS, GOLD-PLATED
SEALS:	DUPONT VITON
MAX CURRENT:	MAX. 9A
CONTACT SIZE:	17 x 1.0mm
TEST VOLTAGE:	2500 V
(BETWEEN CONTACTS)	
MAXIMUM VOLTAGE:	125V AC/DC
CONTACT RESISTANCE:	<5
MAXIMUM MATING CYCLES:	>50