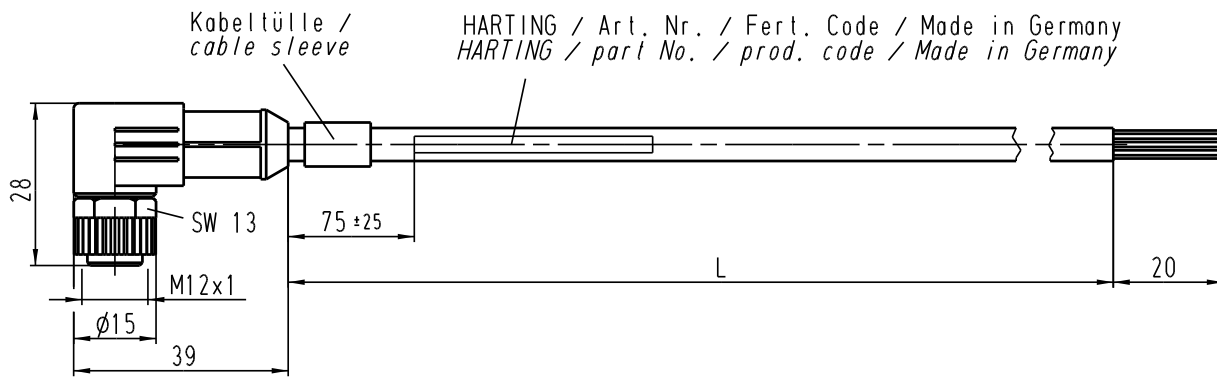
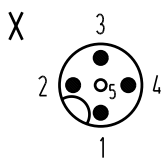


Alle Rechte vorbehalten / All rights reserved



HARTING / Art. Nr. / Fert. Code / Made in Germany
 HARTING / part No. / prod. code / Made in Germany

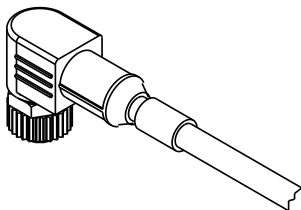
Stromlaufplan /
 Schematic diagram



- 1 — Lilze braun (+) / flexible conductor brown (+)
- 2 — Lilze weiss (Ø) / flexible conductor white (Ø)
- 4 — Lilze schwarz (S) / flexible conductor black (S)
- 3 — Lilze blau (-) / flexible conductor blue (-)

Halogen-freie PUR-Leitung 4x0,34mm²
 in schwarz mit UL/CSA-Zulassung /
 Halogen-free PUR-conductor 4x0,34mm²
 black with approval according to UL/CSA

21 03 515 4401	1,5m
21 03 515 4402	3,0m
21 03 515 4403	5,0m
21 03 515 4404	7,5m
21 03 515 4405	10,0m
ArtikeInr.	Nennlänge (L)



All Dimensions in mm Original Size DIN A 4			Techn. Character.			Nicht tolerierte Masse / Free size tolerances			
			Del.	Name	Massestab/Scale 1:1	M12-Rundsteckverbinder Buchse gewinkelt / M12-circular connector female angular			
			Detail.	22.11.04					Ho
			Insp.						WELL
			Stand.						
411416	17.01.05	Ho	HARTING Electric GmbH & Co. KG			TB 21 03 515 4400 Sub.			
411399	10.01.05	Ho	D-32339 Espelkamp						
411338									
Mod.	Dat.	Name				Blatt / page			