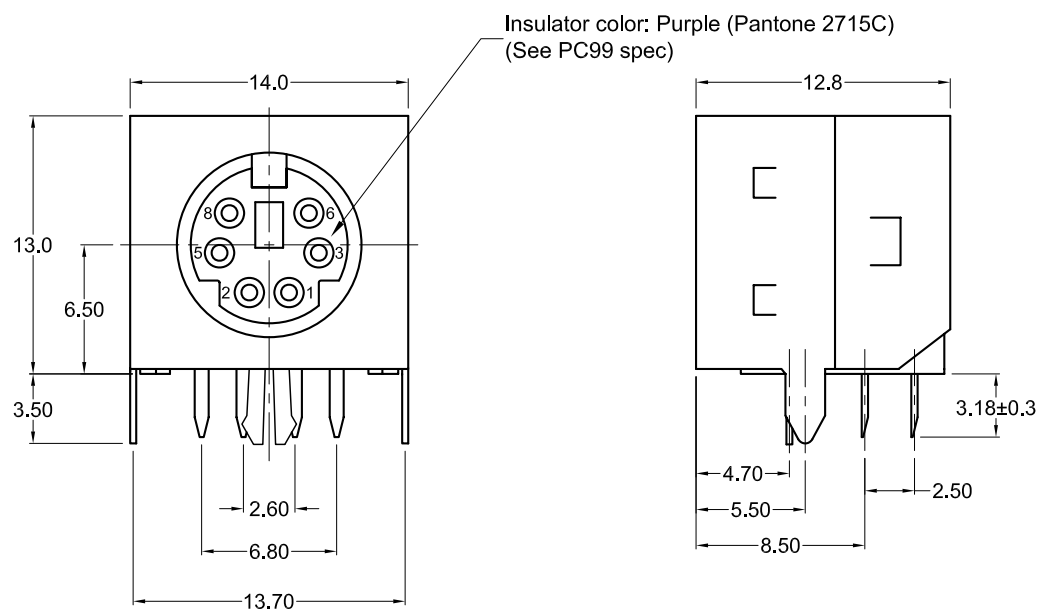


KYCON, Inc. 1810 Little Orchard Street, San Jose, CA 95125 (408)494-0330



Material And Finish

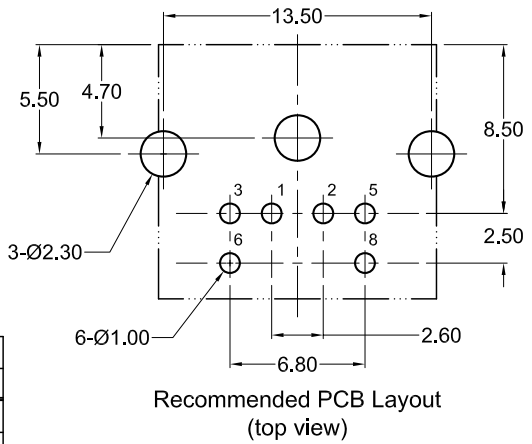
Body: PBT Thermoplastic, UL94V-0 Rated
 Color: Pantone 2715C, Purple (meets PC99 spec)
 Contacts: phosphor bronze, gold flash or 15u" gold plated on contact area, (see ordering information for details) tin plated on termination end
 Shield: brass, Nickel plated

Electrical Characteristics

Contact Resistance:
 Before Test: Plug to Terminals: 30 milliohm max.
 After Test: Plug to Terminals: 60 milliohm max.
 Insulation Resistance: 500 Megohms min.
 Dielectric Withstanding Voltage: 500V AC RMS for 1 minute
 Current Rating: 2 Amp at 12V DC

Mechanical Characteristics

Durability Test: 500 Cycles Min.
 Locked Retention Strength: 5lbs. Min. (When used with Kycon KMDLA Snap & Lock Plugs)
 Operating Temperature: -25°C to +85°C
 Designed to work with Kycon KMDLA Series Snap & Lock plugs.



Ordering Information	
Part Number	Contact Area Plating Finish
KMDGX-6S-BS2715C	Gold Flash (standard)
KMDGX-6S-BS2715C15	15u" Gold (15 option)

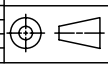


Tolerances
X.X ± 0.25
X.XX ± 0.15
Unless Stated Otherwise

REV.	DATE	DESCRIPTION	REV. BY	CHK. BY	DRAWN BY	DATE
A0	09/01/04	New Drawing	R. Aguirre	C. Leiva	R. Aguirre	09/01/04
A1	12/30/04	correct pin length, tr pin width	H. MA	C. Leiva		
A2	3/4/05	Release Drawing	H. MA	N/A		
A3	12/01/05	ECO #05-065	R. Aguirre	H. MA		

KMDGX-6S-BS2715C

6 pos. Mini-DIN, Lead-Free, PC99
 Center Board Lock, Gold Plated Contacts



UNITS
mm