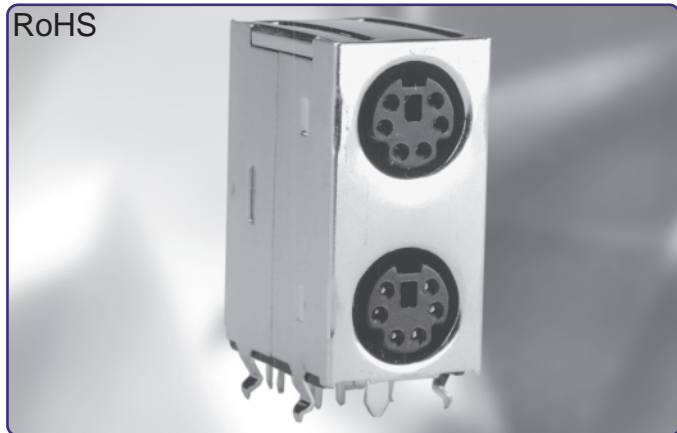


RoHS



## KMDGX Series Stacked Mini-DIN Gold Plated

### Features

- Audio, Video, Computer and Digital Equipment Applications
- Mates with Standard and Snap and Lock Plugs
- Space Saving Stacked Design
- Shielded Options Available for Good Conductivity, Grounding and EMI/RFI Protection
- Visual and Mechanical Polarization for Plug Insertion
- Gold Plated Contacts
- Reflow Compatible Design Available

### Performance Specifications

#### Materials and Finish

**Body** : PBT Thermoplastic, Black Color, UL94V-0 Rated

**Contacts** : Phosphor Bronze,

**Shield** : Brass, Nickel Plated

#### Mechanical Characteristics

**Insertion Force** : 4.5 kg Max

**Extraction Force** : 0.4 kg - 3.5 kg

**Durability** : 500 Cycles Minimum

#### Electrical Characteristics

**Contact Current Rating** : 2Amp at 12V DC

**Insulation Resistance** : 500 Megohms Min

**Contact Resistance**

**Before Durability Test** : Plug to Terminals : 30 milliohms Max.

**After Durability Test** : Plug to Terminals : 60 milliohms Max

**Dielectric Withstanding Voltage** : 500V AC RMS for 1 Minute

**Operating Temperature** : -25°C to +85°C

## MINI-DINs / CIRCULAR DINs

### KMDGX-\*S / \*S Series

#### Documentation & Ordering Information


Kycon Part #

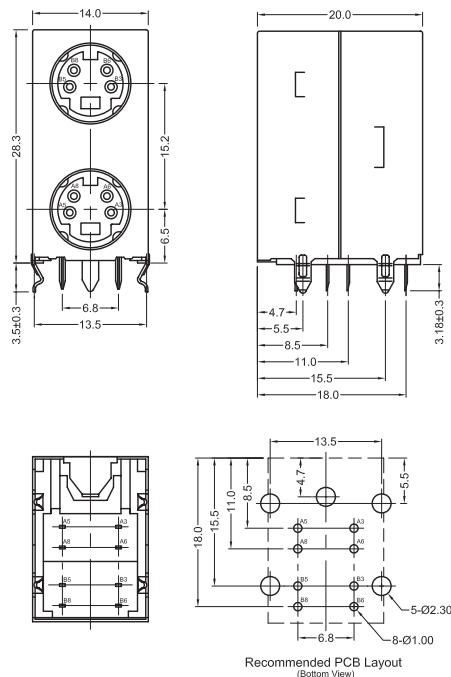
#### Part Number Builder

Series	Configuration	Shield Option	Plating Option
Series KMDGX - Stacked PCB Mount Mini-DIN	Configuration 4S/4S - 4 Contacts over 4 Contacts 4S/8S - 4 Contacts over 8 Contacts* 6S/6S - 6 Contacts over 6 Contacts 6S/8S - 6 Contacts over 8 Contacts* 8S/8S - 8 Contacts over 8 Contacts*	Shield Option S4N - Fully Shielded S4N1 - Fully Shielded with Mounting Hole	Plating Option Standard : Gold flash over nickel on contacts. Tin over nickel on soldertails.

#### KMDGX Series Dimensions

Dimensions in mm

#### KMDGX-4S/4S-S4N



\* Minimum Quantities May Apply, Contact Factory for Specifications