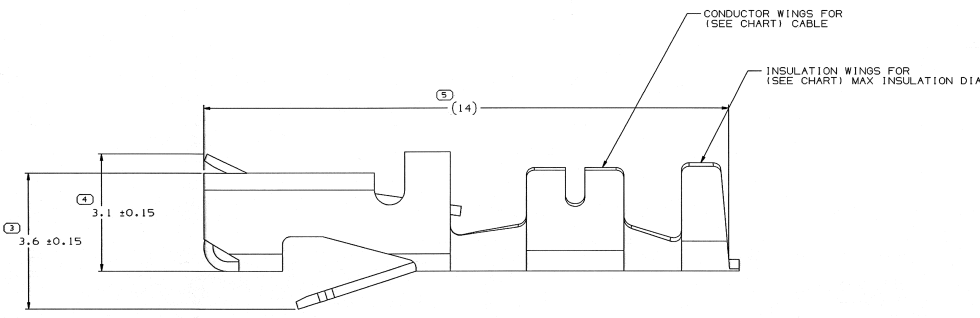
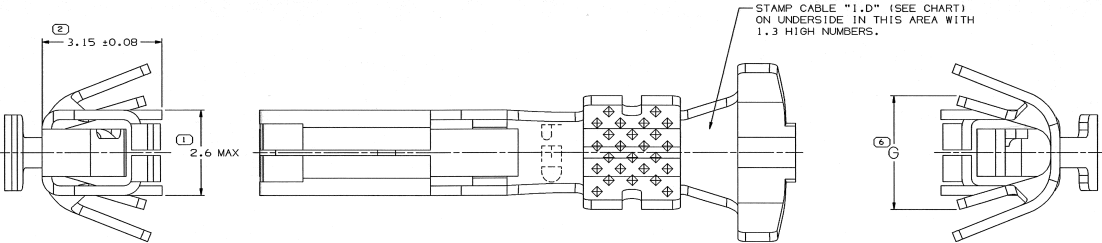


SYMBOL DEFINITION		MISSING SYMBOLS		DWG STATUS		ZONE		REVISION HISTORY		AUTH		DR		APPD	
A DIMENSION WITHOUT AN INSPECTION REPORT SYMBOL ( ) DOES NOT REQUIRE INSPECTION. IT MAY BE CONTROLLED ON THE INDIVIDUAL COMPONENT DRAWINGS.		TOTAL NO OF INSPECTIONS REQUIRED		NO MISSING SYMBOL NUMBER		DATE		12110236 - REDRAWN TO PD		258511		JTV		BO	
		LAST NO. USED				02									

ADD: 'OR EQUIVALENT' TO DIM 283 & NOTE Z.  
 UPDATE MATERIAL CODE: M3634 WAS M3615

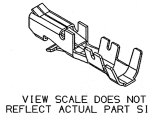
275905



TEMPORARY PRODUCTION PRINT  
 275905  
 CBL  
 APPROVED BY [Signature] DATE 12/21/05  
 APPROVED BY [Signature] DATE 12/21/05

NOTES

- UNLESS OTHERWISE SPECIFIED AND/OR INDICATED: DIMENSIONS ARE TO FACE OF VIEW SHOWN AND AUTOMATICALLY ROUNDED BY COMPUTER FOR INSPECTION (SEE MATH MODEL FOR PRECISE DIMENSIONS). FOR ALL OTHER DIMENSIONS NOT SHOWN BUT REQUIRED FOR TOOL BUILD, SEE MATH MODEL FOR PRECISE TOOL PATH DATA.
- TERMINAL ENGAGE 3N TO 10N TERMINAL DISENGAGE 2N TO 8N WHEN MATED TO A 0.81 THICK X 1.50 WIDE HARDENED STEEL BLADE.
- RECOMMENDED MATING BLADE:  
 WIDTH: +1.50  
 THICKNESS: 0.825 ± 0.035  
 LENGTH: 7.00



VIEW SCALE DOES NOT REFLECT ACTUAL PART SIZE

+		+		+		+		0.254 K 27.3		+		12110236		D2		+		+		M3615		1.0 - 0+0 - 0.5		2.40 + 2.03		60		9	
PART NO	REV	N/P	STATUS	MAT'L SIZE	MAT'L SPEC	PART NO	REV	N/P	STATUS	MAT'L SPEC	SIZE (MM)	DIA	HD	QTY															
				UNPLATED					PLATED					0.4±2															

(N/A) PROCESS SENSITIVE DIMENSION		REFERENCE	
DIMENSIONAL RANGE (MM)		THIRD ANGLE PROJECTION	
FROM	TO	DO NOT SCALE	
0	> 12	USE MATH DATA	
TOLERANCE UNLESS OTHERWISE SPECIFIED		DATE	
0.2		12/21/05	
ANALY TOLERANCE ETC			

DWG TYPE		PART DRAWING	
STYLE	D	DISK CODE	
VOLUME (0/1)		UNLESS OTHERWISE SPECIFIED	
THIS DOCUMENT IS IN ACCORDANCE WITH ASME Y14.5M-1994 IS MARKED TO BE IN ACCORDANCE WITH ISO 15709-1:2001. DEVIATE PATTERNING AND DIMENSIONS ARE THE PROPERTY OF DELPHI. REPRODUCTION OF THIS DOCUMENT IS PROHIBITED WITHOUT THE WRITTEN PERMISSION OF DELPHI.			
ALL DIMENSIONS ARE IN MILLIMETERS			

**DELPHI**  
 DELPHI PACKARD ELECTRIC SYSTEMS  
 WARREN, OH

DATE	
DR	
APPROV	JOSE LUIS TAPIA
APPROV	FRANCISCO KOPKA
APPROV	BRIAN GROUBERTY
APPROV	
SUBSTITUTES OF CONTENT AND RECORDED CONTENT PER DELPHI 1049001	
SEE CHART	
CREATED NAME	
TAXI TERM M/P 150	
DRAWING NUMBER	
12085010	
SIZE	A1
SCALE	20:1
FRG	1
OF	1
REV	1
OF	1
REV	1
OF	1