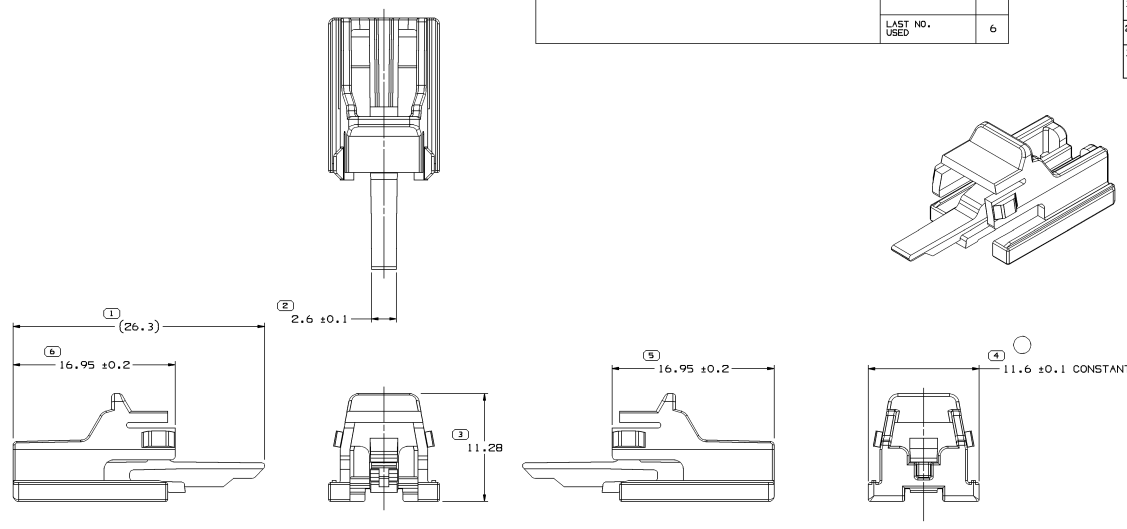


SYMBOL DEFINITION		MISSING SYMBOLS	
A DIMENSION WITHOUT AN INSPECTION REPORT SYMBOL □ DOES NOT REQUIRE INSPECTION. IT MAY BE CONTROLLED ON THE INDIVIDUAL COMPONENT DRAWING.	TOTAL NO OF INSPECTIONS REQUIRED	NO MISSING SYMBOL NUMBER	
	6		
	LAST NO. USED		
	6		

DWG STATUS					REVISION HISTORY			AUTH	
DATE	STG	REV	N/P	CHG	200E				
01.JUL04	R	01	-	-		15423276 - WAS SEPARATE DWG; 15497403 - RELEASED	255602	JTZ	JAA/RMF
14DEC04	R	02	-	-		ALL PARTS - REVISED "MATERIAL RECYCLING CODE" & "DELPHI LOGO" NOTES	262417	ADK	ADK/RMF
27SEP06	R	03	-	-		ALL PARTS - REMOVED MATERIAL BETWEEN BOTTOM RAILS	284322	LJL	LJL/RMF
30APR07	R	04	-	-		ALL PARTS - RELOCATED DIMENSION #4 TO OPPOSITE SIDE OF PART AND UPDATED FOR ATTRIBUTES	401204	GE	GE/WJD



- NOTES
- UNLESS OTHERWISE SPECIFIED AND/OR INDICATED: DIMENSIONS ARE TO FACE OF VIEW SHOWN AND AUTOMATICALLY ROUNDED BY COMPUTER FOR INSPECTION (SEE MATH MODEL FOR PRECISE DIMENSIONS). FOR ALL OTHER DIMENSIONS NOT SHOWN BUT REQUIRED FOR TOOL BUILD, SEE MATH MODEL FOR PRECISE TOOL PATH DATA.
  - THIS PART USED IN ASSEMBLY 15419715 OR EQUIVALENT.
  - MATERIAL RECYCLING CODE PER ISO 11469. (0,8)X(0,1) CHARACTERS AS SHOWN TO BE LOCATED ON ANY EXTERIOR SURFACE. OPTIONAL CONSTRUCTION TO BE NO MATERIAL RECYCLING CODE.
  - THIS PART IS NOT CONTROLLED FOR AUTOMATIC FEEDING.
  - MATING COMPONENTS OR EQUIVALENT: CONNECTOR 15423275
  - (0,8)X(0,1) DELPHI CORPORATE BRAND TO BE LOCATED ON ANY EXTERIOR SURFACE, PREFERABLY VISIBLE AT FINAL ASSEMBLY. OPTIONAL CONSTRUCTION TO BE "PED" OR LOGO.

**DELPHI**  
DELPHI PACKARD ELECTRICAL/ELECTRONIC ARCHITECTURE  
WARREN, OH

DR	DATE
ADK	06.JUL.04
JTZ	02.JUL.04
R.M. FETCENKO	13.JUL.04

UNLESS OTHERWISE SPECIFIED:  
THIS DOCUMENT IS IN CONFORMANCE WITH THE ISO 9000-PPM AS APPLIED TO THE AUTOMOTIVE INDUSTRY. DIMENSIONS ARE TO UNLESS OTHERWISE SPECIFIED. ALL DIMENSIONS ARE TO UNLESS OTHERWISE SPECIFIED. ALL DIMENSIONS ARE TO UNLESS OTHERWISE SPECIFIED. ALL DIMENSIONS ARE TO UNLESS OTHERWISE SPECIFIED.

THIRD ANGLE PROJECTION  
DO NOT SCALE  
USE MATH DATA

DATE: 01-18-2007 10:51:51 AM

DIMENSIONAL RANGE (MM)		TOLERANCE	
FROM	TO	±	MSD
> 0	> 30	± 0.10	0.004
30	100	± 0.15	0.005
100	300	± 0.20	0.008
300	500	± 0.30	0.012
500	1000	± 0.40	0.016
1000	1500	± 0.50	0.020
1500	2000	± 0.60	0.024
2000	3000	± 0.80	0.032
3000	5000	± 1.00	0.040
5000	10000	± 1.50	0.060

PART NO	REV	N/P	MATERIAL SPECIFICATION AND COLOR
15497403	02	AA	M3592012 PA66 HS IM GRA
15423276	02	AA	M3592015 PA66 HS IM GRN