
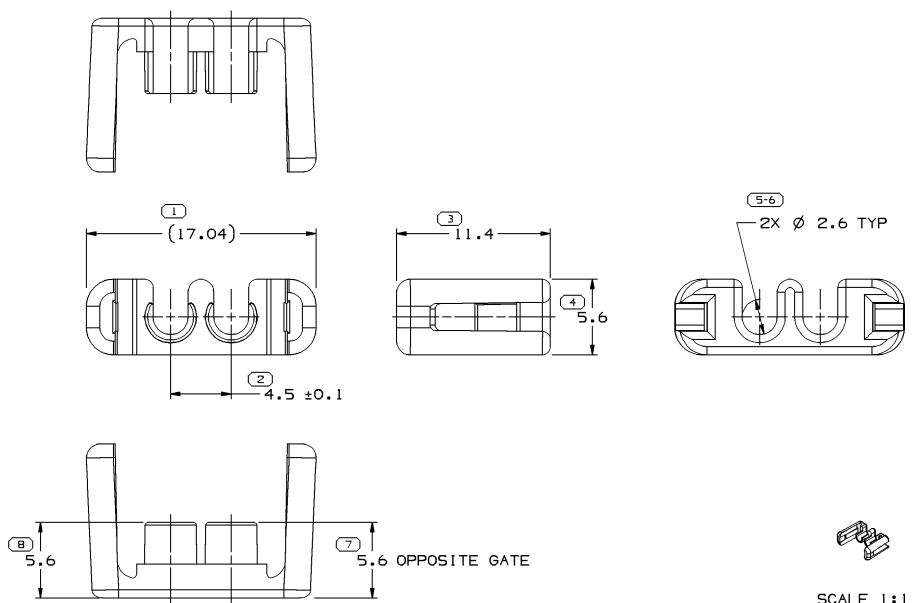


SYMBOL DEFINITION		MISSING NUMBERS	
A DIMENSION WITHOUT AN INSPECTION REPORT SYMBOL  DOES NOT REQUIRE INSPECTION. IT MAY BE CONTROLLED ON AN INDIVIDUAL COMPONENT DRAWING.	TOTAL NO. OF SYMBOLS ON DRAWING	7	
	LAST NO. USED	8	

DWG STATUS				REVISION HISTORY			AUTH	DR	APVD	APVD
DATE	STG	REV	N/P	CHG	ZONE					
10DE01	R	B1	-			CLEARED REVISION COLUMN, REVISED PDM ATTRIBUTES	218316	CJP	CJP	MC
11DE01	R	B2	-			ADDED 2X 5.6 TYP, PSD WAS 2	218604	CJP	CJP	MC
02DE04	R	B3	-			MATERIAL SPEC WAS PM003571 AND REVISED DIMS 7 & 8	261762	HAM	HAM	MJC
18JA05	R	B4	-			UPDATED PDM ATTRIBUTES	263438	ADK	ADK	MJC
17AP06	R	B5	-			UPDATED PDM ATTRIBUTES	279594	JBD	AUG	SRM



- NOTES**
- UNLESS OTHERWISE SPECIFIED AND/OR INDICATED: DIMENSIONS ARE TO FACE OF VIEW SHOWN AND AUTOMATICALLY ROUNDED BY COMPUTER FOR INSPECTION. (SEE MATH MODEL FOR PRECISE DIMENSIONS.) FOR ALL OTHER DIMENSIONS NOT SHOWN BUT REQUIRED FOR TOOL BUILD, SEE MATH MODEL FOR PRECISE TOOL PATH DATA. ALL RADII 0.4 DRAFT IS 1° ON ALL OUTSIDE SURFACES
 - MATING COMPONENTS OR EQUIVALENT: CONNECTOR 15326805

SCALE 1:1

DWG TYPE PART DRAWING	
STYLE	
VOLUME (QTY) 0,276	DISTR CODE D
UNLESS OTHERWISE SPECIFIED THIS DOCUMENT IS IN ACCORDANCE WITH ASME Y14.9M-1994 AS AMENDED BY THE 9M GLOBAL DIMENSIONING AND TOLERANCING ADDENDUM - 1997. ALL GEOMETRIC TOLERANCES AND RELATED DATUMS APPLY RFS. RULE #1 IMPERFECT FORM AT MEQ DOES NOT APPLY WHEN RELATIONSHIP BETWEEN FEATURES IS ESTABLISHED BY ORIENTATION OR LOCATION TOLERANCES. SEPARATE POSITION CALLOUTS MAY BE SHOWN SEPARATELY, REGARDLESS OF DATUM REFERENCE. ALL DIMENSIONS ARE IN MILLIMETERS	

DELPHI
DELPHI PACKARD ELECTRIC SYSTEMS
WARREN, OH

DR	DATE
APVD1 H. YAZZIE	OBSE9B
APVD2 H. YAZZIE	OBSE9B
APVD3 D. MCCONNELL	OBSE9B
APVD4	
APVD5	

SUBSTANCES OF CONCERN AND RECYCLED CONTENT PER DELPHI 10949001

MATERIAL
M3571003 PLAS PA6 6B20+GF10 HS GRA

DRAWING NAME
LOCK SECONDARY TPA GT 2 GRA

DRAWING NUMBER
15355128

SIZE A2	SCALE 5:1	FRAME NO 1 OF 1	SHEET NO 1 OF 1	STG R	REV B5	N/P -
------------	--------------	--------------------	--------------------	----------	-----------	----------

DIMENSIONAL RANGE (MM)		CHURN	ET
FROM	> 0	> 30	> 100
TO	20	30	100
	> 20	> 70	> 150
	30	100	150
	> 100	> 200	> 250
	100	200	250
	> 250	> 300	> 400
	250	300	400
TOLERANCE UNLESS OTHERWISE SPECIFIED			
	±0.15	±0.2	±0.3
	±0.4	±0.5	±0.6
	±0.8	±1	±1.2
ANGULAR TOLERANCE ±2°			

THIRD ANGLE PROJECTION

DO NOT SCALE

USE MATH DATA

