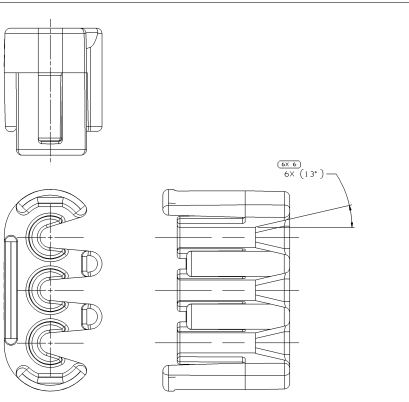
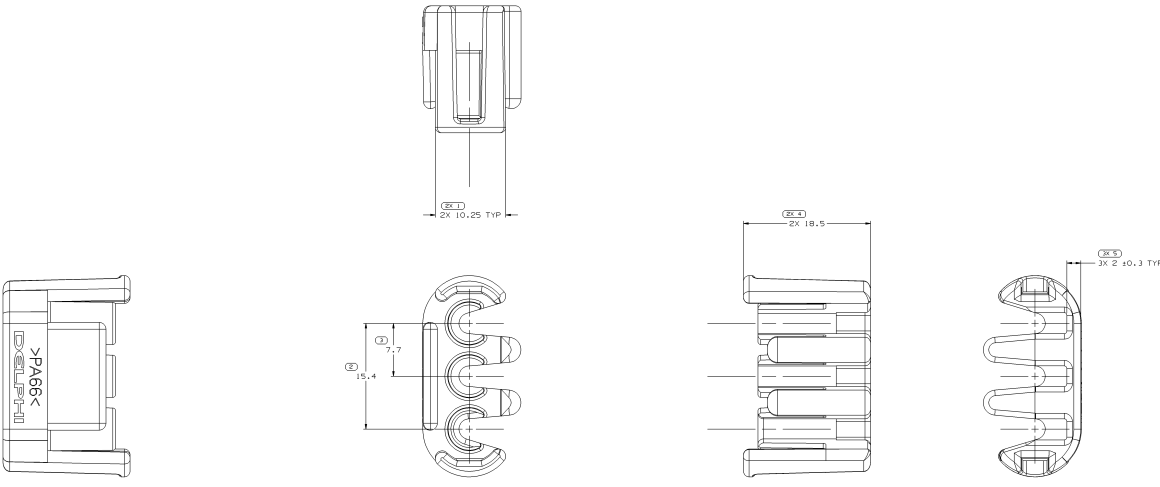


SYMBOL DEFINITION		MISSING SYMBOLS	
	A DIMENSION WITHOUT AN INSPECTION REPORT SYMBOL (□) OR (○) DOES NOT REQUIRE INSPECTION. IT MAY BE CONTROLLED ON THE INDIVIDUAL COMPONENT DRAWING.	NO MISSING SYMBOL NUMBER	
	INDICATES THE DIMENSION IS SHOWN ON THE PART DRAWING AND THE TOOL MUST BE QUALIFIED AT 90% OF THE TOLERANCE SHOWN UNLESS SUPERSEDED BY A "TST".	TOTAL NO. OF INSPECTIONS REQUIRED	15
		LAST NO. USED	6

REVISION HISTORY				APP	DATE
01	01	01	01	200906	01
02	01	01	01	200906	01
03	01	01	01	200906	01
04	01	01	01	200906	01
05	01	01	01	200906	01
06	01	01	01	200906	01



- NOTES
- UNLESS OTHERWISE SPECIFIED AND/OR INDICATED, DIMENSIONS ARE TO FACE OF VIEW SHOWN AND AUTOMATICALLY ROUNDED BY COMPUTER FOR INSPECTION (SEE MATH MODEL FOR PRECISE DIMENSIONS). FOR ALL OTHER DIMENSIONS NOT SHOWN BUT REQUIRED FOR TOOL BUILD, SEE MATH MODEL FOR PRECISE TOOL PATH DATA.
 - MATERIAL RECYCLING CODE PER ISO 11469. IZ 31X10.11 CHARACTERS AS SHOWN TO BE LOCATED ON ANY EXTERIOR SURFACE.
 - MATING COMPONENTS OR EQUIVALENTS: CONNECTORS 12031145 & 12040977.
 - IZ 31X10.11 DELPHI CORPORATE BRAND TO BE LOCATED ON ANY EXTERIOR SURFACE, PREFERABLY VISIBLE AT FINAL ASSEMBLY. OPTIONAL CONSTRUCTION TO BE "RED".

DELPHI
DELPHI PACKING ELECTRIC SYSTEM
WATER-DRY

DATE: 2-027
DRAWN BY: [Signature]
CHECKED BY: [Signature]
APPROVED BY: [Signature]

WALL THICKNESS SPECIFIED

IN ACCORDANCE WITH THE DELPHI MATH MODEL (SEE MATH MODEL FOR PRECISE DIMENSIONS). FOR ALL OTHER DIMENSIONS NOT SHOWN BUT REQUIRED FOR TOOL BUILD, SEE MATH MODEL FOR PRECISE TOOL PATH DATA.

NO DIMENSIONS ARE IN MILLIMETERS

PROVIDE IDENTIFIC CHARACTER

DELPHI PART NO. 12034145
MATERIAL: W35P2001 PAB6-H5 IM BLK
FINISH: [Symbol]

DATE: 2-027
SCALE: 1:1
SHEET NO. 1 OF 1

PART DRAWING

DATE: 2-027

WALL THICKNESS SPECIFIED

IN ACCORDANCE WITH THE DELPHI MATH MODEL (SEE MATH MODEL FOR PRECISE DIMENSIONS). FOR ALL OTHER DIMENSIONS NOT SHOWN BUT REQUIRED FOR TOOL BUILD, SEE MATH MODEL FOR PRECISE TOOL PATH DATA.

NO DIMENSIONS ARE IN MILLIMETERS

PROVIDE IDENTIFIC CHARACTER

DELPHI PART NO. 12034145
MATERIAL: W35P2001 PAB6-H5 IM BLK
FINISH: [Symbol]

DATE: 2-027
SCALE: 1:1
SHEET NO. 1 OF 1