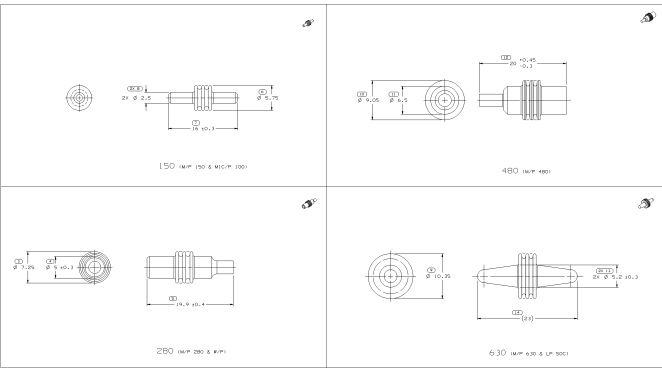
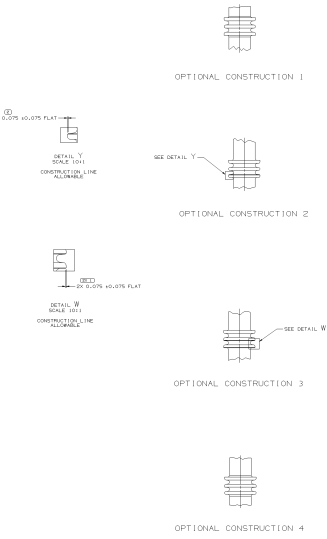


GENERAL INFORMATION		SYSTEM SYMBOLS	
1.1 INDICATOR SYMBOL IN PROJECTION VIEW IS SMALLER THAN THE INDICATOR SYMBOL IN FIRST ANGLE.	1.2 USE OF UNITS	1.3 USE OF UNITS	1.4 USE OF UNITS
1.5 UNITS	1.6 UNITS	1.7 UNITS	1.8 UNITS



NOTES

- UNLESS OTHERWISE SPECIFIED, ALL DIMENSIONS ARE IN MILLIMETERS.
- CONSTRUCTION AND FINISH OF SEAL LIPS SHALL BE AS SHOWN.
- SEAL LIP PROFILES ARE IDENTICAL, EXCEPT AS SHOWN.
- THIS PART IS NOT CONTROLLED FOR AUTOMATIC FEEDING.

DELPHI	
Part Name	12124630
Part No.	12124630
Rev.	1
Material	304 STAINLESS STEEL
Quantity	1
Unit	mm
Scale	1:1
Drawn By	
Checked By	
Approved By	

03045103