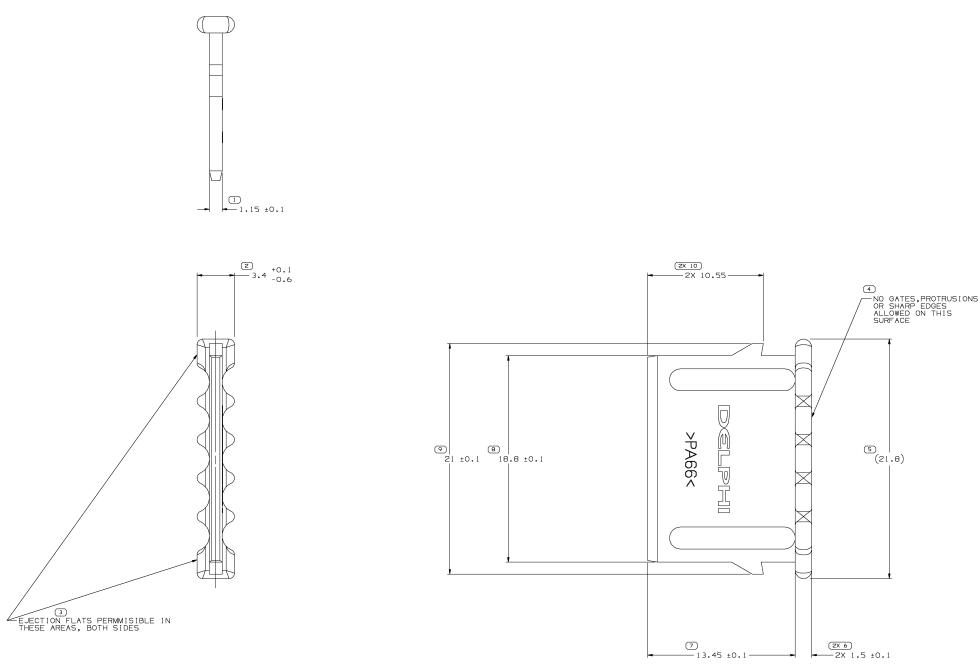


SYMBOL DEFINITION		MISSING SYMBOLS		REV. DATA		REVISION HISTORY		APP	CHK	APP
NO.	DESCRIPTION	NO. MISSING SYMBOL NUMBER	DATE	BY	CHK	NO.	DESCRIPTION	DATE	BY	CHK
1	A DIMENSION WITHOUT AN INSPECTION REPORT SYMBOL (I) DOES NOT REQUIRE INSPECTION. IT MAY BE CONTROLLED ON THE INDIVIDUAL COMPONENT DRAWING.	TOTAL NO. OF INSPECTIONS REQUIRED				12				
		LAST USED				10				



- NOTES
- UNLESS OTHERWISE SPECIFIED AND/OR INDICATED, DIMENSIONS ARE TO FACE OF SHEET METAL AND AUTOMATICALLY FINISHED BY COMPUTER FOR INSPECTION (SEE MATH MODEL FOR PRECISE DIMENSIONS). FOR ALL OTHER DIMENSIONS NOT SHOWN BUT REQUIRED FOR TOOL BUILD, SEE MATH MODEL FOR PRECISE TOOL PATH DATA.
  - MATERIAL RECYCLING CODE 3PAB6C PER SAE J1344. (2, 3)X(10, 1) RAISED CHARACTERS AS SHOWN TO BE LOCATED ON ANY EXTERIOR SURFACE. OPTIONAL CONSTRUCTION TO BE NO MATERIAL RECYCLING CODE.
  - THIS PART IS NOT CONTROLLED FOR AUTOMATIC FEEDING.
  - MATING COMPONENTS OR EQUIVALENT CONNECTOR 12064769
  - MATERIAL CHANGED TO REDUCE BREAKAGE. DO NOT CHANGE WITHOUT CONSULTING COMPONENT LIAISON ENGINEERING.
  - (2, 3)X(10, 1) RAISED DELPHI CORPORATE BRAND TO BE LOCATED ON ANY EXTERIOR SURFACE. PREFERRED TO BE VISIBLE AT FINAL ASSEMBLY. OPTIONAL CONSTRUCTION TO BE "PED" OR NO LOGO.

**DELPHI**  
GLOBAL PACKAGING ELECTRIC SYSTEMS  
WINDLIP

DATE: 02/12/2010  
DRAWN BY: J. TRACY  
CHECKED BY: J. TRACY  
APPV: J. TRACY

THIS DRAWING IS UNCONTROLLED AND SHALL BE USED AS A REFERENCE ONLY. THE USER SHALL BE RESPONSIBLE FOR VERIFYING THE DIMENSIONS AND MATERIALS OF THIS DRAWING. THE USER SHALL BE RESPONSIBLE FOR VERIFYING THE DIMENSIONS AND MATERIALS OF THIS DRAWING.

REVISIONS: 12064771

DATE: 02/12/2010  
BY: J. TRACY  
CHK: J. TRACY

PART DRAWING

DATE: 02/12/2010

SCALE: 1:1

PROJ: 12064771

REV: 12

APPV: J. TRACY

CHK: J. TRACY

DATE: 02/12/2010

BY: J. TRACY

CHK: J. TRACY