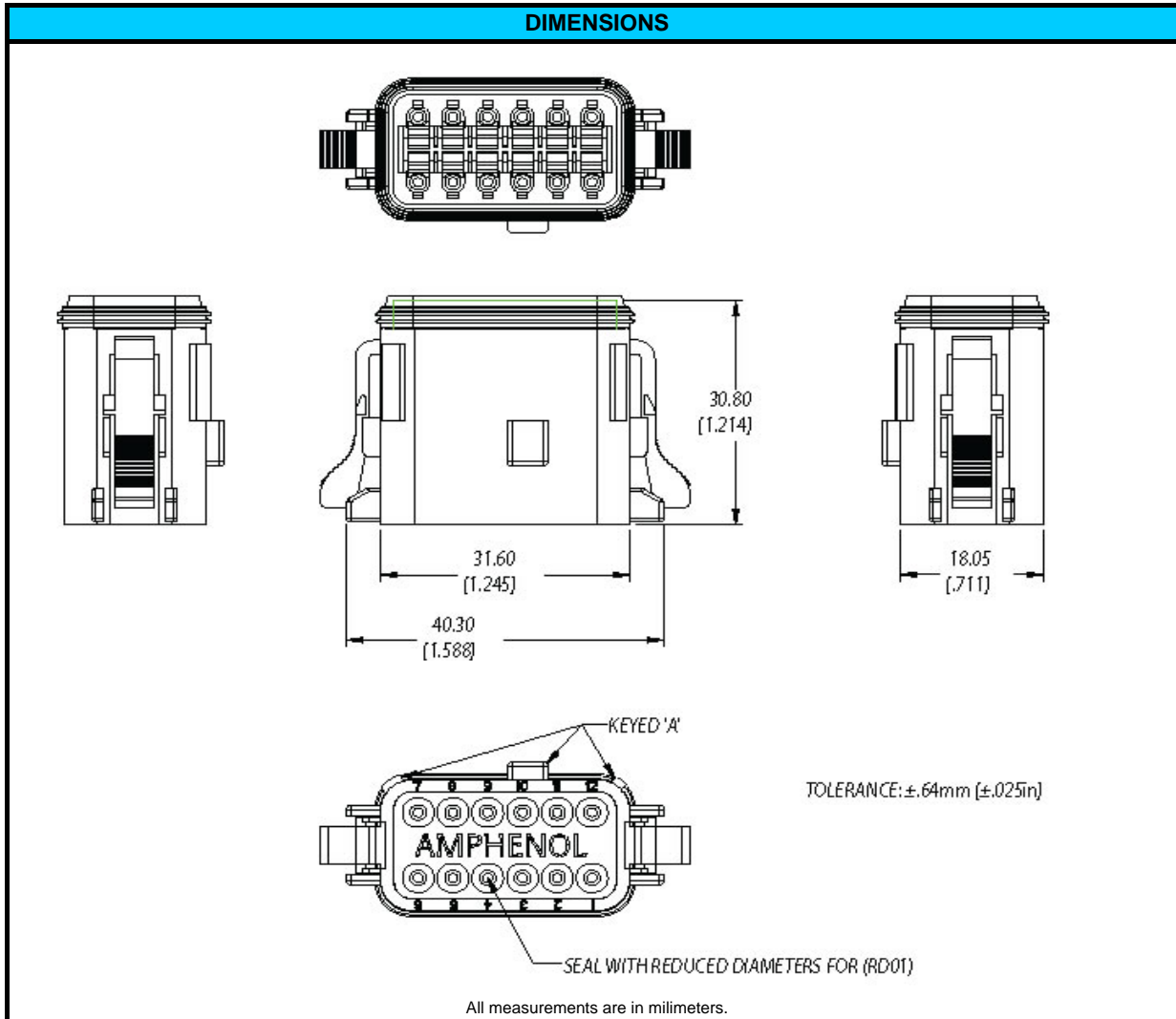


CONFIGURATION	PART NUMBER
Plug, 12 Way, Key A, Reduced Diameter Seal	AT06-12SA-RD01



NOTES:	
CONTACT SIZE	16
WIRE RANGE	14 - 20 AWG [2.0 - 0.5]
INSULATION O.D. (MAX)	.120" [3.04mm]
INSULATION O.D. (MIN)	.053" [1.34mm]
HOUSING COLOR	GREY
MATING CONNECTOR:	AT04-12PA
REQUIRED WEDGE	AW12S (sold separately)
REV: NC	UNCONTROLLED DOCUMENT
DATE 3-NOV-2009	INFORMATION SUBJECT TO CHANGE WITHOUT NOTICE

© 2009 Amphenol Sine Systems Corporation. Every effort has been made to ensure that the information contained in this document is accurate at the time of publication. Specifications or information stated in this publication are subject to change without notice.