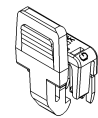
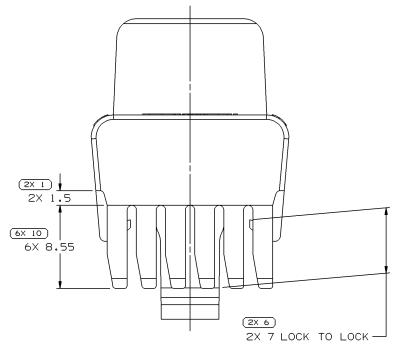
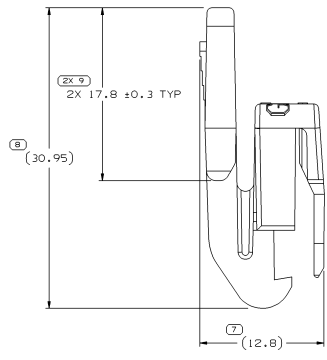
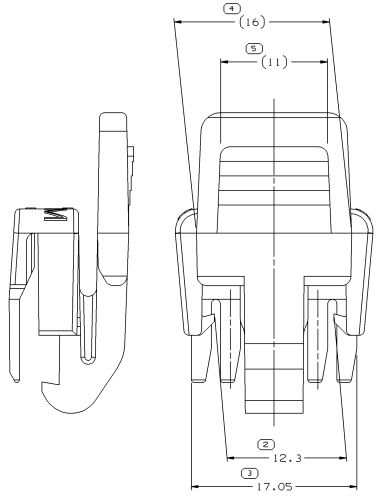
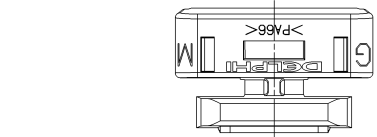


SYMBOL DEFINITION	
A DIMENSION WITHOUT AN INSPECTION REPORT SYMBOL () DOES NOT REQUIRE INSPECTION. IT MAY BE CONTROLLED ON THE INDIVIDUAL COMPONENT DRAWING.	TOTAL NO OF INSPECTIONS REQUIRED
	18
	LAST NO. USED
	10

MISSING SYMBOLS	
NO MISSING SYMBOL NUMBER	

DWG STATUS				REVISION HISTORY		AUTH	DR	APP'D
DATE	STO	REV	N/P	CHG	ZWE			
29JND4	R	01	-	-				256474
18FE05	R	02	-	-				265123



NOTES

- UNLESS OTHERWISE SPECIFIED AND/OR INDICATED: DIMENSIONS ARE TO FACE OF VIEW SHOWN AND AUTOMATICALLY ROUNDED BY COMPUTER FOR INSPECTION (SEE MATH MODEL FOR PRECISE DIMENSIONS). FOR ALL OTHER DIMENSIONS NOT SHOWN BUT REQUIRED FOR TOOL BUILD, SEE MATH MODEL FOR PRECISE TOOL PATH DATA.
- MATERIAL RECYCLING CODE PER ISO 11469. (1)(X(0.1) CHARACTERS AS SHOWN TO BE LOCATED ON ANY EXTERIOR SURFACE.
- REFERENCE MATING COMPONENTS OR EQUIVALENT: CONNECTOR 12064799 12 WAY
- (1)(X(0.1) DELPHI CORPORATE BRAND TO BE LOCATED ON ANY EXTERIOR SURFACE, PREFERABLY VISIBLE AT FINAL ASSEMBLY. OPTIONAL CONSTRUCTION TO BE "PED".

VIEW SCALE DOES NOT REFLECT ACTUAL PART SIZE

PART NO	REV	N/P	STATUS	MATERIAL SPECIFICATION AND COLOR	VOL	CM ³
15444210	02	-	-	M3592008 PA66 HS IM BLU	2	123
12064822	07	-	-	M3592025 PA66 HS IM GRA MD	2	123

DIMENSIONAL RANGE (MM)		THIRD ANGLE PROJECTION	DO NOT SCALE
FROM	TO		
0	> 70		
70	> 100		
100	> 150		
150	> 200		
200	> 250		
250	> 300		
300	> 400		
400	> 500		
500	> 600		
600	> 700		
700	> 800		
800	> 900		
900	> 1000		

DWG TYPE		PART DRAWING	
STYLE	SEE CHART	OTHER CODE	D
UNLESS OTHERWISE SPECIFIED			
THIS DRAWING IS TO BE CONSIDERED VALID UNLESS OTHERWISE SPECIFIED BY THE DRAWING ENGINEER. ANY CHANGES TO THIS DRAWING MUST BE APPROVED BY THE DRAWING ENGINEER.			
ALL DIMENSIONS ARE IN MILLIMETERS			
REFERENCE			
THIRD ANGLE PROJECTION			
DO NOT SCALE			
USE MATH DATA			

DELPHI
DELPHI PACKAGED ELECTRIC SYSTEMS
WARREN, OH

DR	DATE
APR01 PATRICIA SANCHEZ	29JND4
APR02 J. S. ALVARADO	05JUL04
APR03 ALEX DEJENE	07JUL04
APR04	
APR05	

SUBSTANCES OF CONCERN AND RECYCLED CONTENT PER DELPHI 10949001

DRIVING CODE: TAXI LOCK TPA MIC/P 100

DRIVING NUMBER: 15497956

SIZE: A1 SCALE: 5:1 FRAME NO: 1 OF 1 SHEET NO: 130 REV: N/P