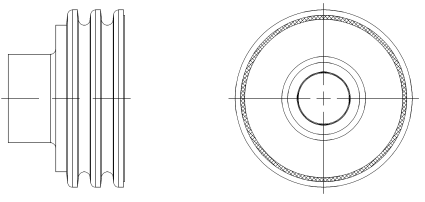
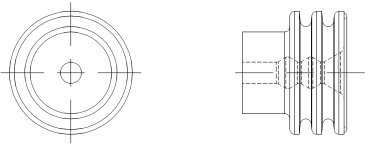


SYMBOL DEFINITION		MISSING SYMBOLS	
A DIMENSION WITHOUT AN INSPECTION REPORT SYMBOL DOES NOT REQUIRE INSPECTION. IT MAY BE CONTROLLED ON THE INDIVIDUAL COMPONENT DRAWING.	TOTAL NO OF INSPECTIONS REQUIRED	NO. MISSING SYMBOL NUMBER	7
	LAST NO. USED		5

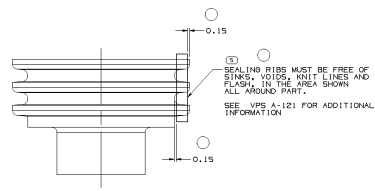
DATE	BY	DESCRIPTION	REVISION HISTORY	DATE	BY	DESCRIPTION
20100901	100000	000000	CLEARED REV COLL 13/09/06 - OBSOLETE	20100901	100000	000000
20060601	090000	000000	ALL ACTIVE PARTS - REVISED A.C. # 4 ALL CABLES & WIRING - REVISED TO # 4 OPTIONAL CONSTRUCTION 1 OPTIONAL CONSTRUCTION 2 VIEW, WITH SPEC NOTE AND DIM 11 PLUST ADDED TO CABLE SEALING RIBS LABEL ALTERNATE 1, SPEC SEALING RIBS LABEL ORIGINAL LENGTH LABEL, SEALING RIBS VIEWS & BODY, STATE OF EXCESS AND NOT-TO-TO RIBS OPTIONAL CONSTRUCTION VIEW DIM 11, 12, 13, 14, 15, 16, 17, 18, 19, 20, 21, 22, 23, 24, 25, 26, 27, 28, 29, 30, 31, 32, 33, 34, 35, 36, 37, 38, 39, 40, 41, 42, 43, 44, 45, 46, 47, 48, 49, 50, 51, 52, 53, 54, 55, 56, 57, 58, 59, 60, 61, 62, 63, 64, 65, 66, 67, 68, 69, 70, 71, 72, 73, 74, 75, 76, 77, 78, 79, 80, 81, 82, 83, 84, 85, 86, 87, 88, 89, 90, 91, 92, 93, 94, 95, 96, 97, 98, 99, 100	20060601	090000	000000



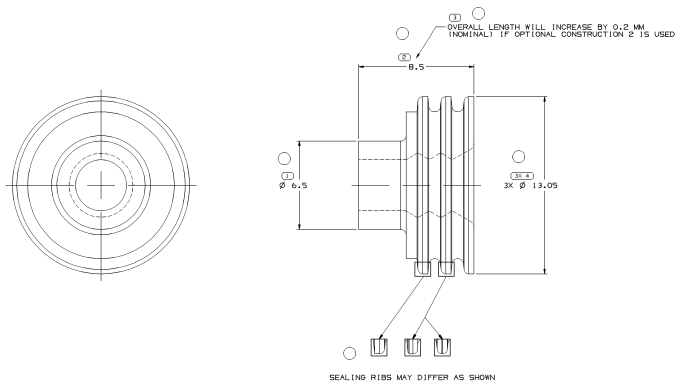
OPTIONAL CONSTRUCTION 1
(ANTI-STICK RING)



OPTIONAL CONSTRUCTION 2
THIS IS THE PREFERRED CONSTRUCTION FOR NEW TOOL BUILDS
(ANTI-STICK RING)



SEALING RIBS MUST BE FREE OF STICKS, VOIDS, WHIT LINES AND FLASH, IN THE AREA SHOWN. SEE VPS A-121 FOR ADDITIONAL INFORMATION.



- NOTES
- UNLESS OTHERWISE SPECIFIED AND/OR INDICATED, DIMENSIONS ARE TO FACE OF VIEW SHOWN AND AUTOMATICALLY ROUNDED BY COMPUTER FOR INSPECTION. (SEE MATH MODEL FOR PRECISE DIMENSIONS.) FOR ALL OTHER DIMENSIONS NOT SHOWN BUT REQUIRED FOR TOOL BUILD, SEE MATH MODEL FOR PRECISE TOOL PATH DATA.
 - PARTS ARE TO BE PACKAGED IN SEALED PLASTIC BAGS. GROSS WEIGHT (INCLUDING CARTON IS NOT TO EXCEED 24 POUNDS).
 - PART NO 12129381 ASSEMBLES TO TERMINAL & SPRING ASSEMBLY 12129384 OR EQUIVALENT.
 - CABLE SEAL DESIGNED FOR CABLE CRIMPED TO 800 SERIES TERMINALS.

PART NO	REV	STATUS	DATE	BY	DESCRIPTION	MATERIAL SPEC	COLOR	CABLE O.D.	ALTERNATE MATERIAL SPEC	CAVITY	VOL. CM ³	EQUIVALENT CABLE SEAL
15329982	01	AD			0860LITE	M3461029	TAN	4.7-4.54		12.5	0.479	15324999
15329981	01	AE			RESTRICTED	M0261008	BLUE	4.5-3.61		12.5	0.593	15326703
15329982	01	AE				M3468008	BLUE	4.5-3.61	M3468008	12.5	0.593	15326703
15329981	01	AE				M3468007	DARK RED	4.7-4.54	M3468007	12.5	0.560	15324998
12129381	01	FB			RESTRICTED	M0261019	DARK RED	4.7-4.54		12.5	0.560	15324998

DELPHI
DELPHI POWER ELECTRIC SYSTEMS

DATE: 20100901
TIME: 10:00

DESIGNER: 100000
CHECKER: 100000
DATE: 20100901

PROJECT: TAXI SEAL CBL IV M/P

REV: 12010295

NO. 1011 OF 159