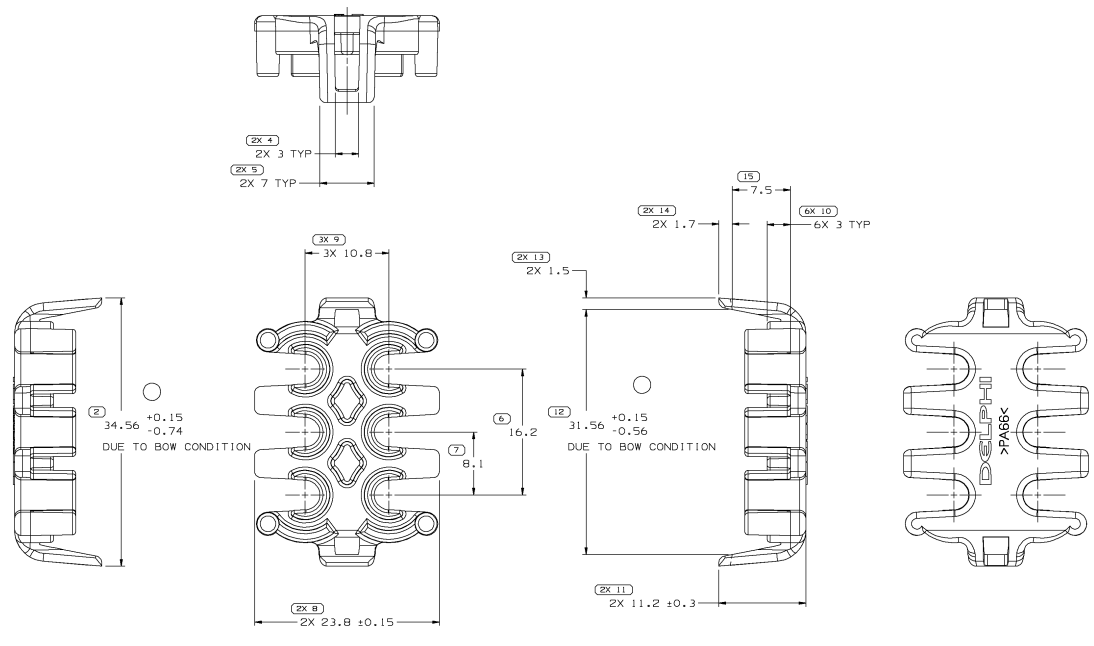
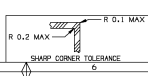


SYMBOL DEFINITION		MISSING SYMBOLS	
A DIMENSION WITHOUT AN INSPECTION REPORT SYMBOL () DOES NOT REQUIRE INSPECTION. IT MAY BE CONTROLLED ON THE INDIVIDUAL COMPONENT DRAWING.	TOTAL NO. OF INSPECTIONS REQUIRED	1	3
	LAST NO. USED		15

DWG STATUS				REVISION HISTORY				DATE	BY	APP'D	2
DATE	BY	REV	IN/P	CHG	ZONE	DESCRIPTION	DATE	BY	APP'D	2	
21MR02	R	09	-	-		CREATED PD AND MAT'L SPEC WAS R0064633	222915	RR	RR	RC	
02MR02	R	09	AA	-		34.56 +/-0.15/-0.74 WAS 34.56 +/-0.15, 31.56 +/-0.15/-0.56 WAS 31.56 +/-0.15 AND REMOVED DIMS (2 PLCS)	225206	RR	RR	RC	



- NOTES
- UNLESS OTHERWISE SPECIFIED AND/OR INDICATED: DIMENSIONS ARE TO FACE OF VIEW SHOWN AND AUTOMATICALLY ROUNDED BY COMPUTER FOR INSPECTION (SEE MATH MODEL FOR PRECISE DIMENSIONS). FOR ALL OTHER DIMENSIONS NOT SHOWN BUT REQUIRED FOR TOOL BUILD, SEE MATH MODEL FOR PRECISE TOOL PATH DATA.
 - MATERIAL RECYCLING CODE >PA66< PER SAE J1344. (2,3)X(0,1) RAISED CHARACTERS AS SHOWN TO BE LOCATED ON ANY EXTERIOR SURFACE. OPTIONAL CONSTRUCTION TO BE NO MATERIAL RECYCLING CODE.
 - THIS PART IS NOT CONTROLLED FOR AUTOMATIC FEEDING.
 - MATING COMPONENTS OR EQUIVALENT: CONNECTOR 12110339
 - (2,3)X(0,1) RAISED DELPHI CORPORATE BRAND TO BE LOCATED ON ANY EXTERIOR SURFACE, PREFERABLY VISIBLE AT FINAL ASSEMBLY. OPTIONAL CONSTRUCTION TO BE "PED" OR NO LOGO.
 - MAX CABLE DIA THAT WILL FIT THIS PART IS Ø 3.88.



DIMENSIONAL RANGE (MM)	DATE
FROM 10 TO 25	12/28/98
25 TO 50	12/28/98
50 TO 100	12/28/98
100 TO 150	12/28/98
150 TO 200	12/28/98
200 TO 250	12/28/98
250 TO 300	12/28/98
300 TO 400	12/28/98
400 TO 500	12/28/98
500 TO 600	12/28/98
600 TO 800	12/28/98
800 TO 1000	12/28/98
1000 TO 1500	12/28/98
1500 TO 2000	12/28/98
2000 TO 3000	12/28/98
3000 TO 4000	12/28/98
4000 TO 5000	12/28/98
5000 TO 6000	12/28/98
6000 TO 8000	12/28/98
8000 TO 10000	12/28/98
10000 TO 15000	12/28/98
15000 TO 20000	12/28/98
20000 TO 30000	12/28/98
30000 TO 40000	12/28/98
40000 TO 50000	12/28/98
50000 TO 60000	12/28/98
60000 TO 80000	12/28/98
80000 TO 100000	12/28/98
100000 TO 150000	12/28/98
150000 TO 200000	12/28/98
200000 TO 300000	12/28/98
300000 TO 400000	12/28/98
400000 TO 500000	12/28/98
500000 TO 600000	12/28/98
600000 TO 800000	12/28/98
800000 TO 1000000	12/28/98
1000000 TO 1500000	12/28/98
1500000 TO 2000000	12/28/98
2000000 TO 3000000	12/28/98
3000000 TO 4000000	12/28/98
4000000 TO 5000000	12/28/98
5000000 TO 6000000	12/28/98
6000000 TO 8000000	12/28/98
8000000 TO 10000000	12/28/98
10000000 TO 15000000	12/28/98
15000000 TO 20000000	12/28/98
20000000 TO 30000000	12/28/98
30000000 TO 40000000	12/28/98
40000000 TO 50000000	12/28/98
50000000 TO 60000000	12/28/98
60000000 TO 80000000	12/28/98
80000000 TO 100000000	12/28/98
100000000 TO 150000000	12/28/98
150000000 TO 200000000	12/28/98
200000000 TO 300000000	12/28/98
300000000 TO 400000000	12/28/98
400000000 TO 500000000	12/28/98
500000000 TO 600000000	12/28/98
600000000 TO 800000000	12/28/98
800000000 TO 1000000000	12/28/98
1000000000 TO 1500000000	12/28/98
1500000000 TO 2000000000	12/28/98
2000000000 TO 3000000000	12/28/98
3000000000 TO 4000000000	12/28/98
4000000000 TO 5000000000	12/28/98
5000000000 TO 6000000000	12/28/98
6000000000 TO 8000000000	12/28/98
8000000000 TO 10000000000	12/28/98
10000000000 TO 15000000000	12/28/98
15000000000 TO 20000000000	12/28/98
20000000000 TO 30000000000	12/28/98
30000000000 TO 40000000000	12/28/98
40000000000 TO 50000000000	12/28/98
50000000000 TO 60000000000	12/28/98
60000000000 TO 80000000000	12/28/98
80000000000 TO 100000000000	12/28/98
100000000000 TO 150000000000	12/28/98
150000000000 TO 200000000000	12/28/98
200000000000 TO 300000000000	12/28/98
300000000000 TO 400000000000	12/28/98
400000000000 TO 500000000000	12/28/98
500000000000 TO 600000000000	12/28/98
600000000000 TO 800000000000	12/28/98
800000000000 TO 1000000000000	12/28/98
1000000000000 TO 1500000000000	12/28/98
1500000000000 TO 2000000000000	12/28/98
2000000000000 TO 3000000000000	12/28/98
3000000000000 TO 4000000000000	12/28/98
4000000000000 TO 5000000000000	12/28/98
5000000000000 TO 6000000000000	12/28/98
6000000000000 TO 8000000000000	12/28/98
8000000000000 TO 10000000000000	12/28/98
10000000000000 TO 15000000000000	12/28/98
15000000000000 TO 20000000000000	12/28/98
20000000000000 TO 30000000000000	12/28/98
30000000000000 TO 40000000000000	12/28/98
40000000000000 TO 50000000000000	12/28/98
50000000000000 TO 60000000000000	12/28/98
60000000000000 TO 80000000000000	12/28/98
80000000000000 TO 100000000000000	12/28/98
100000000000000 TO 150000000000000	12/28/98
150000000000000 TO 200000000000000	12/28/98
200000000000000 TO 300000000000000	12/28/98
300000000000000 TO 400000000000000	12/28/98
400000000000000 TO 500000000000000	12/28/98
500000000000000 TO 600000000000000	12/28/98
600000000000000 TO 800000000000000	12/28/98
800000000000000 TO 1000000000000000	12/28/98
1000000000000000 TO 1500000000000000	12/28/98
1500000000000000 TO 2000000000000000	12/28/98
2000000000000000 TO 3000000000000000	12/28/98
3000000000000000 TO 4000000000000000	12/28/98
4000000000000000 TO 5000000000000000	12/28/98
5000000000000000 TO 6000000000000000	12/28/98
6000000000000000 TO 8000000000000000	12/28/98
8000000000000000 TO 10000000000000000	12/28/98
10000000000000000 TO 15000000000000000	12/28/98
15000000000000000 TO 20000000000000000	12/28/98
20000000000000000 TO 30000000000000000	12/28/98
30000000000000000 TO 40000000000000000	12/28/98
40000000000000000 TO 50000000000000000	12/28/98
50000000000000000 TO 60000000000000000	12/28/98
60000000000000000 TO 80000000000000000	12/28/98
80000000000000000 TO 100000000000000000	12/28/98
100000000000000000 TO 150000000000000000	12/28/98
150000000000000000 TO 200000000000000000	12/28/98
200000000000000000 TO 300000000000000000	12/28/98
300000000000000000 TO 400000000000000000	12/28/98
400000000000000000 TO 500000000000000000	12/28/98
500000000000000000 TO 600000000000000000	12/28/98
600000000000000000 TO 800000000000000000	12/28/98
800000000000000000 TO 1000000000000000000	12/28/98
1000000000000000000 TO 1500000000000000000	12/28/98
1500000000000000000 TO 2000000000000000000	12/28/98
2000000000000000000 TO 3000000000000000000	12/28/98
3000000000000000000 TO 4000000000000000000	12/28/98
4000000000000000000 TO 5000000000000000000	12/28/98
5000000000000000000 TO 6000000000000000000	12/28/98
6000000000000000000 TO 8000000000000000000	12/28/98
8000000000000000000 TO 10000000000000000000	12/28/98
10000000000000000000 TO 15000000000000000000	12/28/98
15000000000000000000 TO 20000000000000000000	12/28/98
20000000000000000000 TO 30000000000000000000	12/28/98
30000000000000000000 TO 40000000000000000000	12/28/98
40000000000000000000 TO 50000000000000000000	12/28/98
50000000000000000000 TO 60000000000000000000	12/28/98
60000000000000000000 TO 80000000000000000000	12/28/98
80000000000000000000 TO 100000000000000000000	12/28/98
100000000000000000000 TO 150000000000000000000	12/28/98
150000000000000000000 TO 200000000000000000000	12/28/98
200000000000000000000 TO 300000000000000000000	12/28/98
300000000000000000000 TO 400000000000000000000	12/28/98
400000000000000000000 TO 500000000000000000000	12/28/98
500000000000000000000 TO 600000000000000000000	12/28/98
600000000000000000000 TO 800000000000000000000	12/28/98
800000000000000000000 TO 1000000000000000000000	12/28/98
1000000000000000000000 TO 1500000000000000000000	12/28/98
1500000000000000000000 TO 2000000000000000000000	12/28/98
2000000000000000000000 TO 3000000000000000000000	12/28/98
3000000000000000000000 TO 4000000000000000000000	12/28/98
4000000000000000000000 TO 5000000000000000000000	12/28/98
5000000000000000000000 TO 6000000000000000000000	12/28/98
6000000000000000000000 TO 8000000000000000000000	12/28/98
8000000000000000000000 TO 10000000000000000000000	12/28/98
10000000000000000000000 TO 15000000000000000000000	12/28/98
15000000000000000000000 TO 20000000000000000000000	12/28/98
20000000000000000000000 TO 30000000000000000000000	12/28/98
30000000000000000000000 TO 40000000000000000000000	12/28/98
40000000000000000000000 TO 50000000000000000000000	12/28/98
50000000000000000000000 TO 60000000000000000000000	12/28/98
60000000000000000000000 TO 80000000000000000000000	12/28/98
80000000000000000000000 TO 100000000000000000000000	12/28/98
100000000000000000000000 TO 150000000000000000000000	12/28/98
150000000000000000000000 TO 200000000000000000000000	12/28/98
200000000000000000000000 TO 300000000000000000000000	12/28/98
300000000000000000000000 TO 400000000000000000000000	12/28/98
400000000000000000000000 TO 500000000000000000000000	12/28/98
500000000000000000000000 TO 600000000000000000000000	12/28/98
600000000000000000000000 TO 800000000000000000000000	12/28/98
800000000000000000000000 TO 1000000000000000000000000	12/28/98
1000000000000000000000000 TO 1500000000000000000000000	12/28/98
1500000000000000000000000 TO 2000000000000000000000000	12/28/98
2000000000000000000000000 TO 3000000000000000000000000	12/28/98
3000000000000000000000000 TO 4000000000000000000000000	12/28/98
4000000000000000000000000 TO 5000000000000000000000000	12/28/98
5000000000000000000000000 TO 6000000000000000000000000	12/28/98
6000000000000000000000000 TO 8000000000000000000000000	12/28/98
8000000000000000000000000 TO 10000000000000000000000000	12/28/98
10000000000000000000000000 TO 15000000000000000000000000	12/28/98
15000000000000000000000000 TO 20000000000000000000000000	12/28/98
20000000000000000000000000 TO 30000000000000000000000000	12/28/98