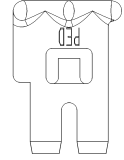
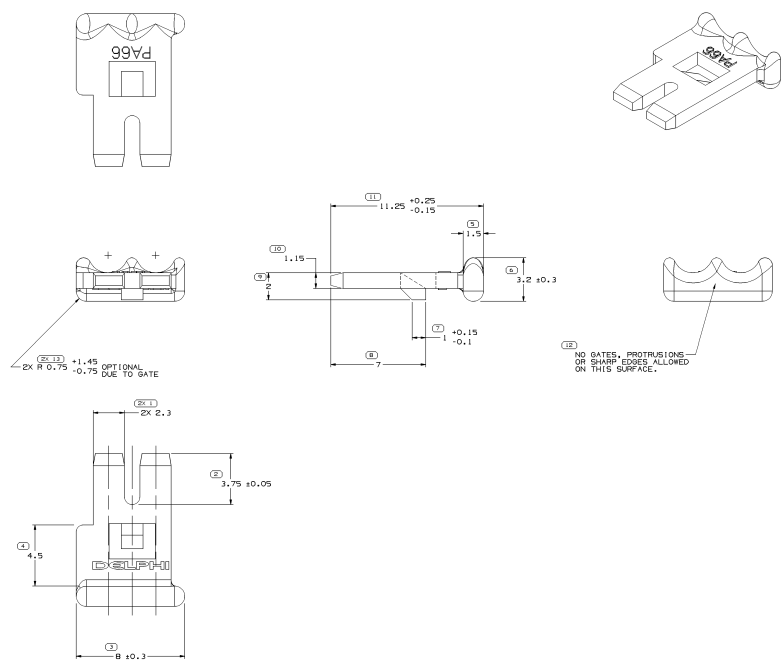
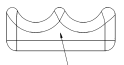


SYMBOL DEFINITION		MISSING SYMBOLS	
A DIMENSION WITHOUT AN INSPECTION REPORT SYMBOL DOES NOT REQUIRE INSPECTION. IT MAY BE CONTROLLED ON THE INDIVIDUAL COMPONENT DRAWING.	TOTAL NO OF INSPECTIONS REQUIRED	NO. MISSING SYMBOL NUMBER	16
	LAST NO. USED		14

DATE	BY	REVISION HISTORY	APP'D	CHK'D
200902	PA	CLEANED REVISION COLUMN, ADDED OPTIONAL CONSTRUCTION NOTES, DIMENSION & REVISED MAT'L SPEC.	22890	22890
200903	PA	SPECIFIED FIN ATTRIBUTES	24941	24941
200905	DI	12047664 RESTRICTED REPLACED BY 12047675	28053	28053



OPTIONAL CONSTRUCTION



(12) ANY GATES ON THIS SURFACE MUST NOT EXCEED HEIGHT OF 0.1 MM AND MUST BE SOFT TO THE OPERATOR CONTACT (NO SHARP EDGES OR POINTS ALLOWED).

- NOTES
- UNLESS OTHERWISE SPECIFIED AND/OR INDICATED, DIMENSIONS ARE TO FACE OF VIEW SHOWN AND AUTOMATICALLY RAISED BY COMPUTER FOR INSPECTION (SEE MATH MODEL FOR PRECISE DIMENSIONS). FOR ALL OTHER DIMENSIONS NOT SHOWN BUT REQUIRED FOR TOOL BUILD, SEE MATH MODEL FOR PRECISE TOOL PATH DATA.
 - MATERIAL RECYCLING CODE >PA66< PER SAE J1344. (2, 3)X(10, 1) RAISED CHARACTERS AS SHOWN TO BE LOCATED ON ANY EXTERIOR SURFACE. OPTIONAL CONSTRUCTION TO BE NO MATERIAL RECYCLING CODE.
 - THIS PART IS NOT CONTROLLED FOR AUTOMATIC FEEDING.
 - MATING COMPONENTS OR EQUIVALENTS: CONNECTOR 12047665 & 12047785
 - (2, 3)X(10, 1) RAISED DELPHI CORPORATE BRAND TO BE LOCATED ON ANY EXTERIOR SURFACE, PREFERABLY VISIBLE AT FINAL ASSEMBLY. OPTIONAL CONSTRUCTION TO BE "PED" OR NO LOGO.

RESTRICTED USAGE
 RELEASED BY
 15/08/10

DELPHI DELPHI POWER ELECTRIC SYSTEM PART NUMBER: 12047664	
DATE: 02/09/09 DRAWN BY: J. VANDERKAM CHECKED BY: J. VANDERKAM APPROVED BY: J. VANDERKAM	PART NAME: LOCK SECONDARY TPA W/P 69A MD PART NUMBER: 12047664 REV: 1011 OF 1 9 1 2 01 AX