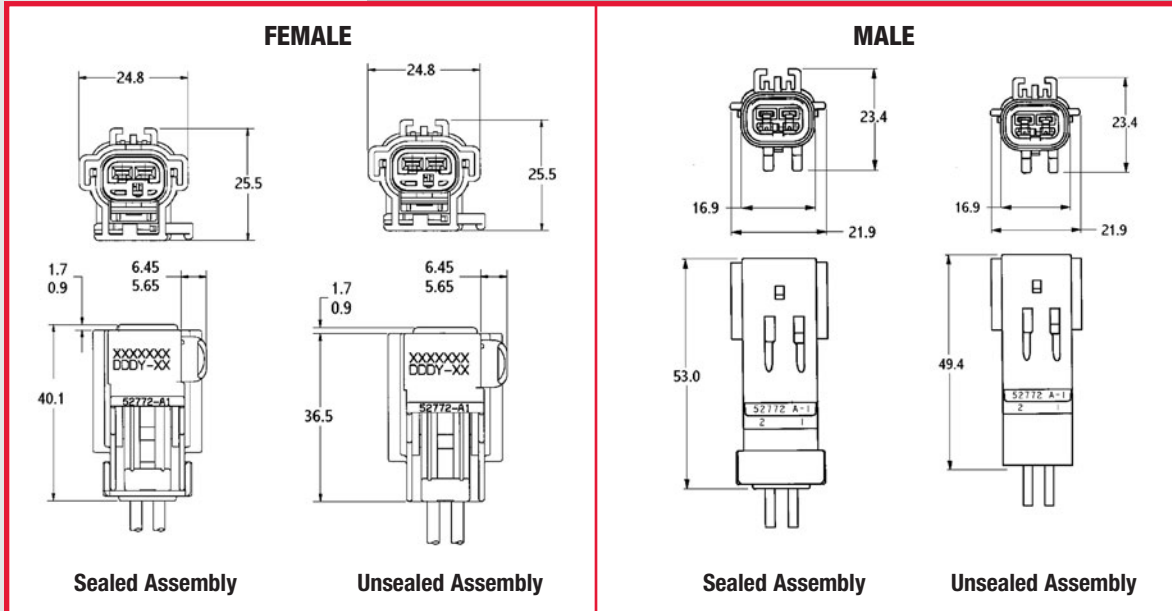


FCI 2-Way APEX 2.8 mm Connection System



INDEX TYPE	HOUSING COLOR	SEALED/ UNSEALED	FEMALE ASSEMBLY PART NUMBER	MALE ASSEMBLY PART NUMBER	TEMPERATURE RATING OF MATERIAL	WIRE INSULATION RANGE PER CAVITY (mm)
A	DK GRN	SEALED	55200200	54200273	-40°C to +155°C	1.70 – 3.35
B	DK BLUE	SEALED	54200260	54200274	-40°C to +155°C	1.70 – 3.35
C	DK BROWN	SEALED	54200261	54200275	-40°C to +155°C	1.70 – 3.35
D	NATURAL	SEALED	54200262	54200276	-40°C to +155°C	1.70 – 3.35
A	BLK	SEALED	54200206	54200210	-40°C to +125°C	1.70 – 3.35
A	BLK	SEALED	54200213	54200215	-40°C to +125°C	3.07 – 4.09
A	BLK	UNSEALED	54200200	54200204	-40°C to +125°C	1.50 – 4.09
B	LT GREY	SEALED	54200207	54200211	-40°C to +125°C	1.70 – 3.35
B	LT GREY	UNSEALED	54200201	54200205	-40°C to +125°C	1.50 – 4.09
C	DK GREY	SEALED	54200208	55200204	-40°C to +125°C	1.70 – 3.35
D	NATURAL	SEALED	54200209	55200205	-40°C to +125°C	1.70 – 3.35

Note: Additional configurations available. Please consult sales drawing.