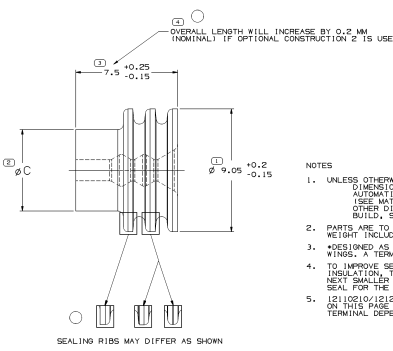
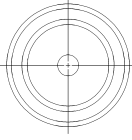
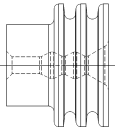
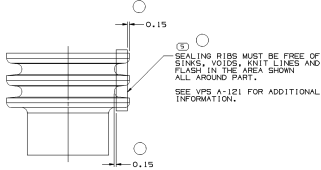
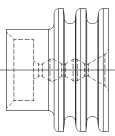


NOTES:

1. THE MYLAR TAPE IS ONLY A CARRIER USED AS A PROCESS AID AND IS NOT PART OF THE FINAL HARNESS ASSEMBLY.
2. WHEN PARTS ARE SHIPPED, THEY MUST BE PACKED IN PLASTIC BAGS OR SHIPPING CONTAINERS MUST BE LINED WITH PLASTIC LINERS. BAGS OR LINERS MUST BE SEALED TO AVOID ENTRY OF FOREIGN MATTER.



NOTES:

1. UNLESS OTHERWISE SPECIFIED AND/OR INDICATED, DIMENSIONS ARE TO FACE OF VIEW SHOWN AND AUTOMATICALLY ROUNDED BY COMPUTER FOR INSPECTION. (SEE MATR MODEL FOR PRECISE DIMENSIONS.) FOR ALL OTHER DIMENSIONS NOT SHOWN BUT REQUIRED FOR TOOL BUILD, SEE MATR MODEL FOR PRECISE TOOL PATH DATA.
2. PARTS ARE TO BE PACKAGED IN SEALED PLASTIC BAGS. GROSS WEIGHT INCLUDING CARTON IS NOT TO EXCEED 34 POUNDS.
3. DESIGNED AS A PUSH ON SEAL. SEAL SLIDES OVER INSULATION WINGS. A TERMINAL CANNOT BE CRIMPED OVER THIS SEAL.
4. TO IMPROVE SEAL PROCESSING ON SLIPPERY OR SMOOTH CABLE INSULATION, THE APPLICATION ENGINEER MAY SPECIFY THE NEXT SMALLER SEAL SIZE PLAN, IN PLACE OF THE INDICATED SEAL FOR THE "CABLE O.D." LISTED IN THE CHART.
5. 1210210/1214843 CAN BE REPLACED BY ANY SEAL ON THIS PAGE IN CONJUNCTION WITH 12124411 OR 12124598 TERMINAL DEPENDING ON CABLE CO.

SYMBOL DEFINITION

A DIMENSION WITHOUT AN INSPECTION REPORT SYMBOL () DOES NOT REQUIRE INSPECTION. IT MAY BE CONTROLLED ON THE INDIVIDUAL COMPONENT DRAWING.	TOTAL NO OF INSPECTIONS REQUIRED	5
LAST NO. USED		5

MISSING SYMBOLS

NO. MISSING SYMBOL NUMBER	5
---------------------------	---

REV	DATE	DESCRIPTION	BY	CHKD	APP'D	REV	DATE	DESCRIPTION
02498	01	REVISED				01	01/12/92	
02499	01	REVISED				02	01/12/92	
02500	01	REVISED				03	01/12/92	
02501	01	REVISED				04	01/12/92	
02502	01	REVISED				05	01/12/92	
02503	01	REVISED				06	01/12/92	
02504	01	REVISED				07	01/12/92	
02505	01	REVISED				08	01/12/92	
02506	01	REVISED				09	01/12/92	

REV	DATE	DESCRIPTION	BY	CHKD	APP'D	REV	DATE	DESCRIPTION
1524962	01	AC	OBSELETE			M3460024	RED	M3460024
1524961	01	AC				M3460006	YEL	M3460006
1524960	01	AC				M3460079	PRP	M3460079
1524959	01	AC				M3460064	RED	M3460064
1524958	01	AC				M3460011	WHT	M3460011
1524967	01	AC				M3460006	GRN	M3460006
1524966	01	AC				M3460015	PRP	M3460015
12162068	A4					M2261005	GRN	
12124843	A1		OBSELETE			M2261001	GRN	
1209203	A4		RESTRICTED			M2261006	GRN	
1209231	A4		RESTRICTED			M3471006	YEL	M2261006
1209243	A4		RESTRICTED			M3471009	PRP	M2261009
1209262	A4		RESTRICTED			M3471004	RED	M2261004
1204843	A4		RESTRICTED			M3471011	WHT	M2261011

REV	DATE	DESCRIPTION	BY	CHKD	APP'D
01	01/12/92	REVISED			
02	01/12/92	REVISED			
03	01/12/92	REVISED			
04	01/12/92	REVISED			
05	01/12/92	REVISED			
06	01/12/92	REVISED			
07	01/12/92	REVISED			
08	01/12/92	REVISED			
09	01/12/92	REVISED			

DELPHI
DELPHI POWER ELECTRIC SYSTEMS

DATE: 01/12/92
REV: 09

DESIGNER: J. J. KELLY
CHECKED: J. J. KELLY
APP'D: J. J. KELLY

1210295