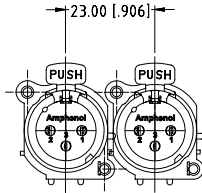
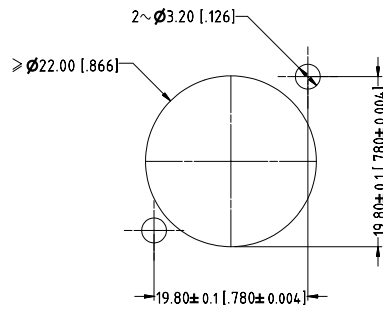


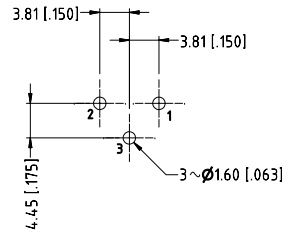
ISO VIEW
SCALE 1:1



MIN MOUNTING PITCH
SCALE 1:1



PANEL CUT OUT
REAR VIEW



PCB LAYOUT
COMPONENT SIDE
TOLERANCE: ± 0.05mm [0.002"]

UNLESS OTHERWISE SPECIFIED		THIS DOCUMENT IS THE PROPERTY OF AMPHENOL AUSTRALIA PTY LTD. NO PART THEREOF MAY BE REPRODUCED AND USED WITHOUT THE WRITTEN CONSENT OF THE OWNER		1	UPDATE FROM CUSTOMER DRAWING AND PAGE 1 OF 2 FOR ASSEMBLY DRAWING	L.V	06-03-01	8195			
TOLERANCES TO BE				0	FIRST ISSUE	L.V	06-03-01	---			
LINEAR		ANGULAR		REV.	CHANGE DETAILS	BY	DATE	CHK/NO			
± 0.15	± 0.1	± 0.1	± 0.1	CAD FILE:	55010041000221	DRW:	L.V	DATE:	06-03-01	TITLE:	AC3FAV-AU A-TYPE VERTICAL CUSTOMER DWG
± 0.25	± 0.2	± 0.2	± 0.2	MATL:	SEE COMPONENT	CRD:	M.H.M	DATE:	20-06-03	APP'D:	P.H
± 0.50	± 0.4	± 0.4	± 0.4	FINISH:	SEE COMPONENT	APP'D:	P.H	DATE:	30-06-03	PART No:	55010041-000
DO NOT SCALE		FINISH		SEE COMPONENT		APP'D		P.H		DATE	
DIMENSIONS IN		MILLIMETRES		SCALE:		2:1 UOS		PART No:		55010041-000	
				TOLERANCE		± 0.05mm [0.002"]		SIZE:		A3	
				DRAWING NO.		55010041-000-2		SHEET		2/2	