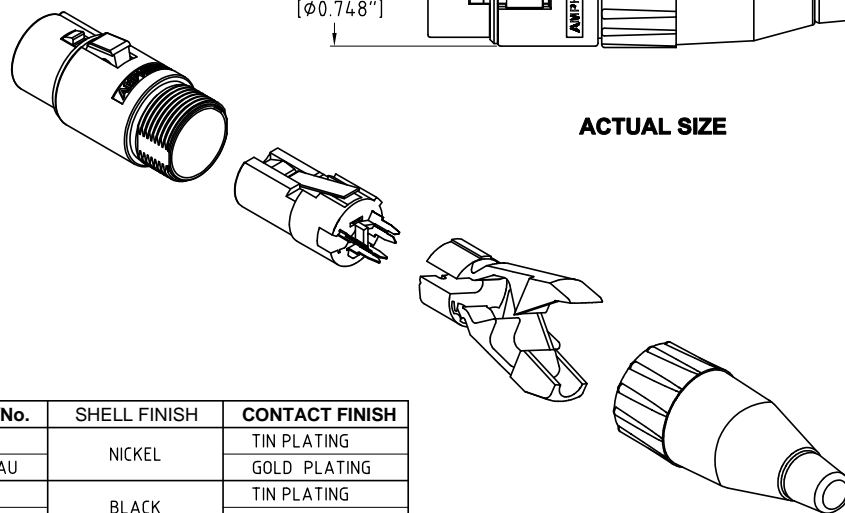


ACTUAL SIZE



CAT P/No.	SHELL FINISH	CONTACT FINISH
AC3FI	NICKEL	TIN PLATING
AC3FI-AU		GOLD PLATING
AC3FIB	BLACK	TIN PLATING
AC3FIB-AU		GOLD PLATING

UNLESS OTHERWISE SPECIFIED TOLERANCE TO BE		THIS DOCUMENT IS THE PROPERTY OF AMPHENOL AUSTRALIA PTY. LTD. NO PART THEREOF MAY BE REPRODUCED AND USED WITHOUT THE PRIOR WRITTEN CONSENT OF THE OWNER.				0	FIRST ISSUE	L.V	01-05-06	----
LINEAR		ANGULAR		CAD FILE: 00846100	DRN: L.V	DATE: 01-05-06	REV.	CHANGE DETAILS	BY	DATE
X ± 0.5	X' ± 1'			MATL: REFER TO COMPONENT	CKD: M.N.H	DATE: 01-05-06	TITLE: AC3FI LINE CONNECTOR CUSTOMER DWG			
X.X ± 0.1	X'X' ± 30'			FINISH: REFER TO COMPONENT	APP'D: P.M	DATE: 01-05-06	Amphenol Australia Pty Ltd, 2 Finways Blvd, Keppelham, Vic 3172			
X.XX ± 0.05	X'X'X' ± 15'			DO NOT SCALE		SCALE: 1:1 UOS	PART No: REFER TO CHART		SIZE: A4	DRAWING NO: 128294-0000
DIMENSIONS IN MILLIMETRES		THIRD ANGLE PROJECTION								SHEET 2 OF 2