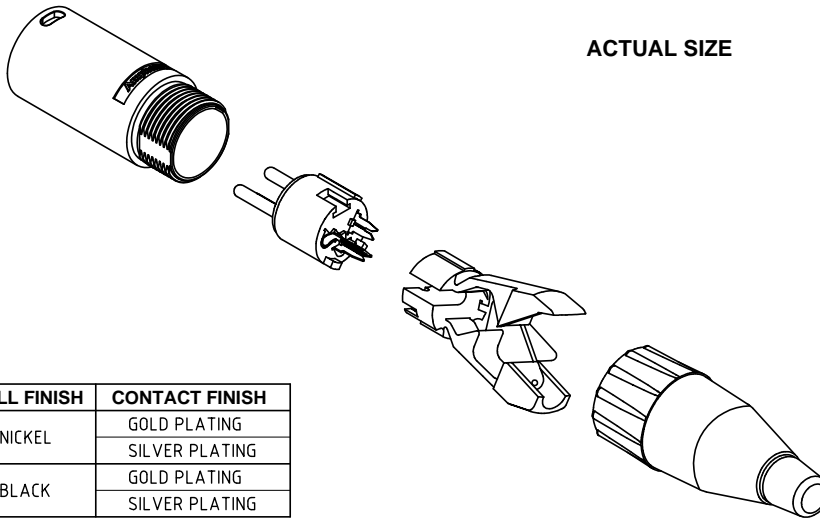


ACTUAL SIZE



CAT P/No.	SHELL FINISH	CONTACT FINISH
AC3MI-AU	NICKEL	GOLD PLATING
AC3MI		SILVER PLATING
AC3MIB-AU	BLACK	GOLD PLATING
AC3MIB		SILVER PLATING

UNLESS OTHERWISE SPECIFIED TOLERANCE TO BE		THIS DOCUMENT IS THE PROPERTY OF AMPHENOL AUSTRALIA PTY. LTD. NO PART THEREOF MAY BE REPRODUCED AND USED WITHOUT THE PRIOR WRITTEN CONSENT OF THE OWNER.				0	FIRST ISSUE	L.V	01-05-06	----
LINEAR		ANGULAR		CAD FILE:	00849100	DRN:	L.V	DATE:	01-05-06	TITLE:
X ± 0.5	X' ± 1'	X ± 0.1	X' ± 30'	MATL:	REFER TO COMPONENT	CKD:	M.N.H	DATE:	01-05-06	<b>AC3MI LINE CONNECTOR</b> <b>CUSTOMER DWG</b> <b>Amphenol</b> <small>Amphenol Australia Pty Ltd, 2 Fieways Blvd, Keysborough, Vic 3173</small>
X.XX ± 0.05	X'X'X' ± 15'	BREAK ALL SHARP EDGES AND REMOVE ALL BURRS		FINISH:	REFER TO COMPONENT	APP'D:	P.M	DATE:	01-05-06	
DO NOT SCALE		DIMENSIONS IN MILLIMETRES		THIRD ANGLE PROJECTION		SCALE:	1:1 UOS	PART No:	REFER TO CHART	SIZE: A4
								DRAWING NO:	128295-0000	SHEET
										2 OF 2