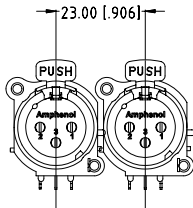
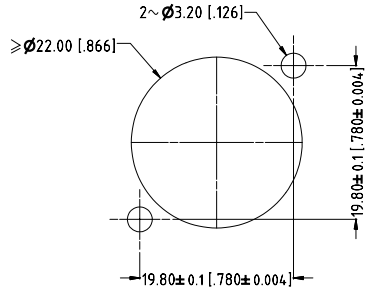


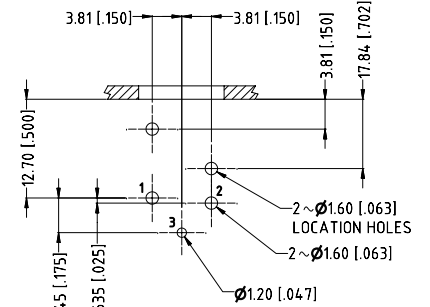
ISO VIEW
SCALE 1:1



MIN MOUNTING PITCH
SCALE 1:1



PANEL CUT OUT
REAR VIEW



PCB LAYOUT
COMPONENT SIDE
TOLERANCE: ± 0.05mm [0.002"]

UNLESS OTHERWISE SPECIFIED TOLERANCES TO BE:		THIS DOCUMENT IS THE PROPERTY OF AMPHENOL AUSTRALIA PTY LTD. NO PART THEREOF MAY BE REPRODUCED AND USED WITHOUT THE PRIOR WRITTEN CONSENT OF THE OWNER.				1	UPDATE FROM CUSTOMER DRAWING	L.V	0-16-03	8195
LINEAR	ANGULAR	CAD FILE: 55010039000221	DRW: L.V	DATE: 06-03-01	TITLE: AC3FAH-AU A-TYPE HORIZ CUSTOMER DWG	0	FIRST ISSUE	L.V	16-03-01	----
± 0.15	± 0.1	MATL: SEE COMPONENT	CRD: M.M.H	DATE: 20-06-03	BY: DATE	REV.	CHANGE DETAILS	BY	DATE	CHK/NO
± 0.25	± 0.2	FINISH: SEE COMPONENT	APPD: P.H	DATE: 30-06-03	DRWING NO:					SHEET
BREAK ALL SHARP EDGES AND REMOVE ALL BURRS	DO NOT SCALE	DIMENSIONS IN MILLIMETRES		SCALE: 2:1 UOS	PART No: 55010039-000	SIZE: A3	55010039-000-2			2/2