

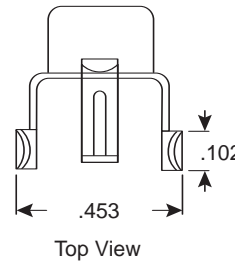
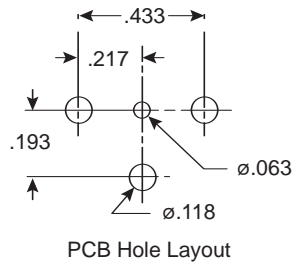
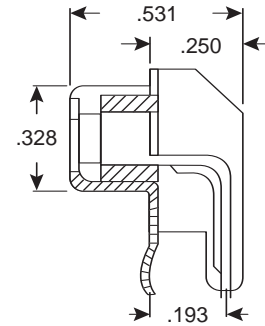
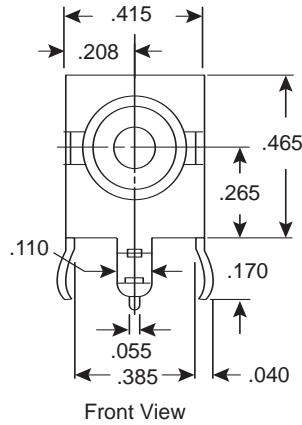
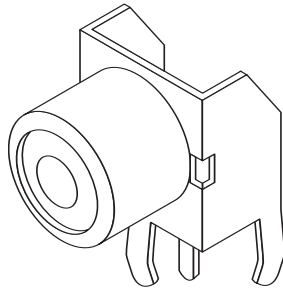
PC Mount Phono Jacks

161-4213, 161-4216, 161-4217



PC Mount Phono Jacks

Dimensions: In.



SPECIFICATIONS

Type:	PC mount phono
Impedance:	50mΩ
Initial insertion:	12 lbs (max) w/ \varnothing .128 \pm .0002 pin
Retention:	3oz (min) w/ \varnothing .1235 \pm .0002 after sizing 3 times w/ \varnothing .128 \pm .0002 pin
Temperature rating:	200°C
Shell plating:	161-4213 & 161-4216 nickel, 161-4217 gold
Contact:	tin plated brass
Insulator:	phenolic
Insulator color:	brown(161-4213, 161-4217), black(161-4216)
Washer:	Linen
Insulation Resistance:	100M Ω (Min.) @ DC500V
Voltage Breakdown:	AC 500V (Minute)
Contact Resistance:	30m Ω (Max.)

Date Last Revised: 4-19-05

Available from Mouser Electronics
1-800-346-6873
www.mouser.com

KC-300366

161-4213, 161-4216, 161-4217