

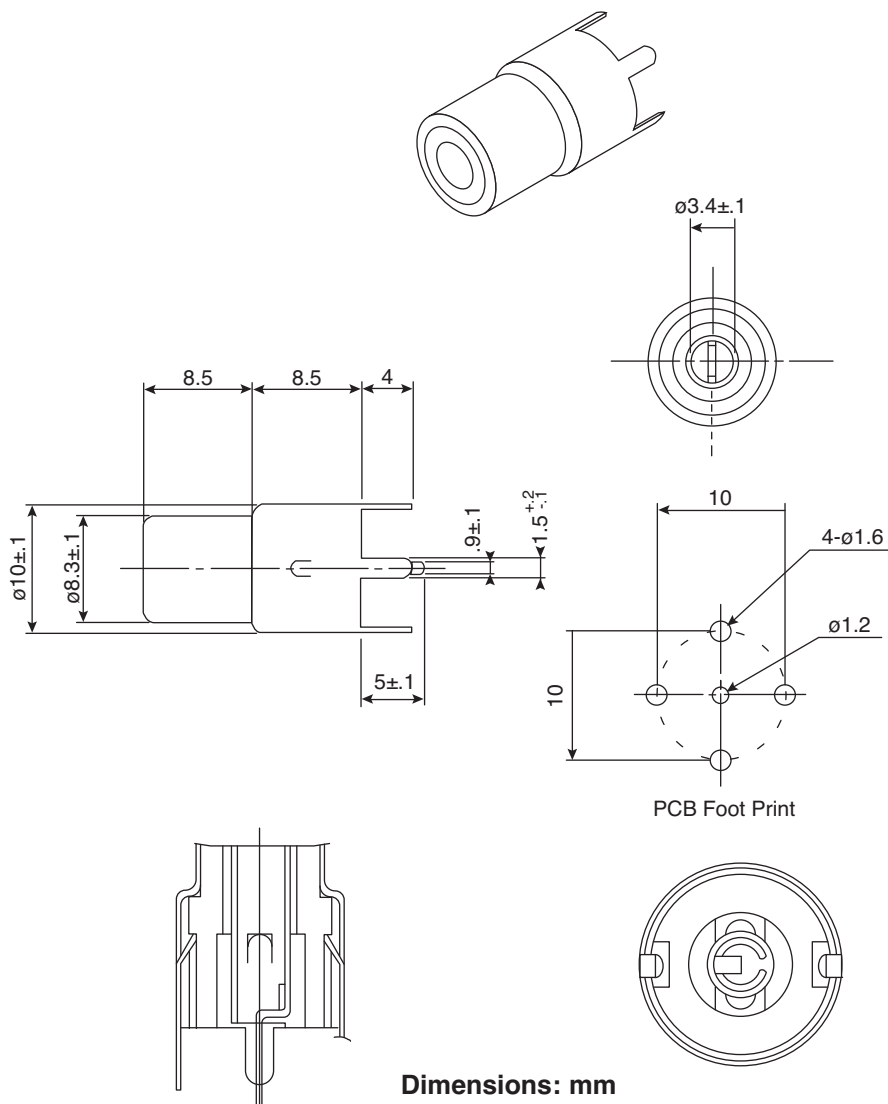
PCB Jacks

16PJ092-E, 16PJ092R-E,
16PJ092W-E, 16PJ092Y-E

KOBICONN

PCB Jacks

16PJ092-E, 16PJ092R-E, 16PJ092W-E, 16PJ092Y-E



SPECIFICATIONS	
Contact Resistance:	50mΩ max.
Insulation Resistance:	100MΩ min. @ 500VDC
Withstand Voltage:	500VAC / 1 second
Heat Test:	6 hours @ 60°C
Life Test:	5000 cycles per 10-20 cycles @ 1 minute
RoHS Compliant	

COLORS	
Black:	16PJ092-E
Red:	16PJ092R-E
White:	16PJ092W-E
Yellow:	16PJ092Y-E

Date Last Revised: 04-23-09

Available from Mouser Electronics
1-800-346-6873
www.mouser.com

KC-300920