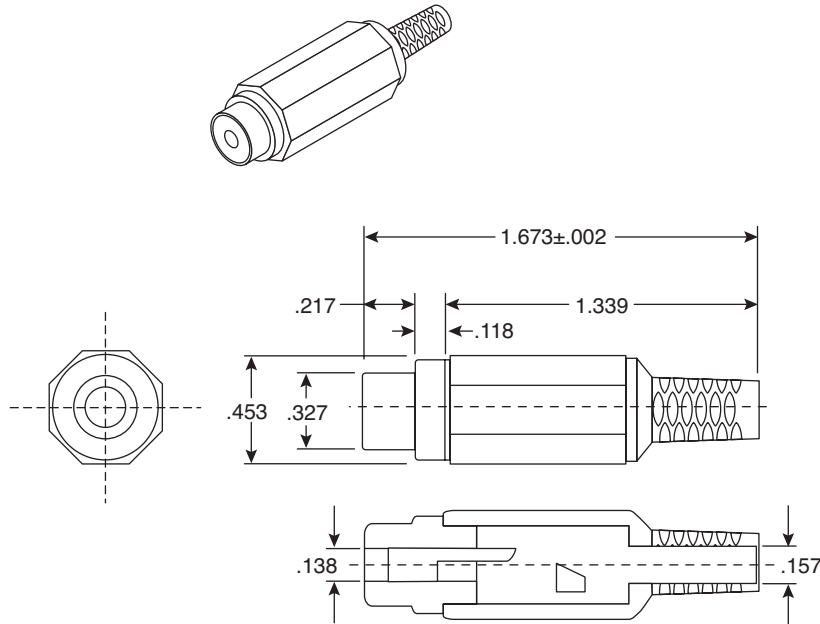


In-Line Phono Jacks

161-4356-E, 161-4357-E, 161-4358-E, 161-4359-E



In-Line Phono Jacks



Dimensions: In.

MOUSER STOCK NO.	ID Ring Color
161-4356-E	Red
161-4357-E	White
161-4358-E	Yellow
161-4359-E	Black

MATERIAL SPECIFICATIONS		
Part Name	Material	Max. Temp.
Insulator	Bakelite	---
Body	ABS Resin	85°C
Contact A	Nickel Plated Brass	---
Contact B	Nickel Plated Steel	---
Cap	Polyethylene	80°C

ELECTRICAL SPECIFICATIONS	
Contact Resistance:	10mΩ max.
Insulation Resistance:	100MΩ min. @ 500VDC
Withstand Voltage:	500VAC for 1 Minute
Temperature:	-10°C ~ +50°C
Tolerance:	±0.3mm
RoHS Compliant	

Date Last Revised: 12-22-05

Available from Mouser Electronics
1-800-346-6873
www.mouser.com

KC-300925

161-4356-E, 161-4357-E, 161-4358-E, 161-4359-E