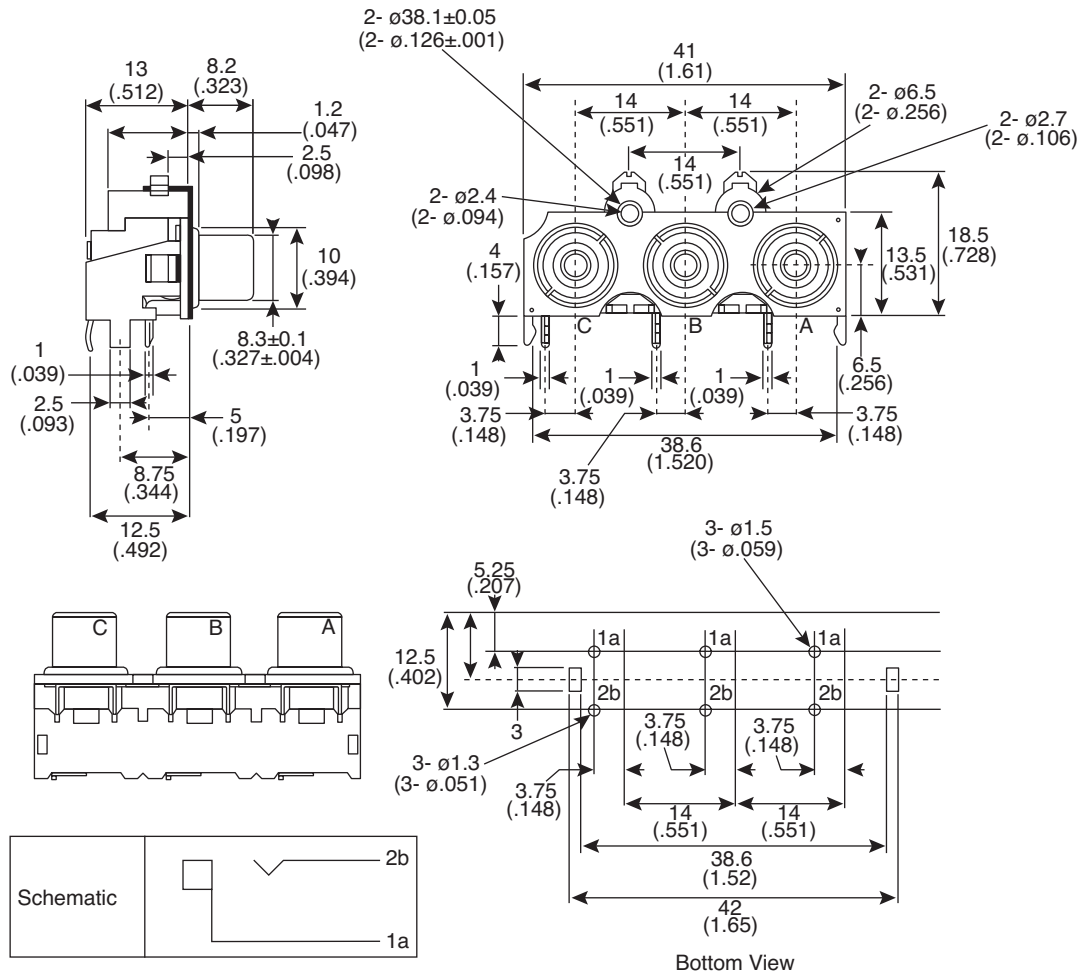


# Triple Phono Jacks

161-4222-E, 161-4223-E



Triple Phono Jacks



Dimensions: mm (In)

MOUSER STOCK NO.	Colors		
	A	B	C
161-4222	Red	Green	Blue
161-4223	Red	White	Yellow

## SPECIFICATIONS

<b>Type:</b>	Horizontal Mount Triple Phono
<b>Rating:</b>	2A/34VDC or 34VAC
<b>Temperature:</b>	-25°C ~ +70°C
<b>Contact Resistance:</b>	≤30mΩ
<b>Withstand Voltage:</b>	500VAC for 1 Minute
<b>Insulation Resistance:</b>	≥100MΩ @ 500VDC
<b>Insertion / Extraction Force:</b>	.3Kgf ~ 4Kgf
<b>Wave Soldering Temp.:</b>	230±5° for 3 seconds with 2±.5mm Dip
<b>Terminals:</b>	Tin Plated Brass
<b>Bushing:</b>	Nickel Plated Brass
<b>Housing, Insulation:</b>	ABS

Date Last Revised: 8-18-06

Available from Mouser Electronics  
1-800-346-6873  
www.mouser.com

KC-301036

161-4222-E, 161-4223-E