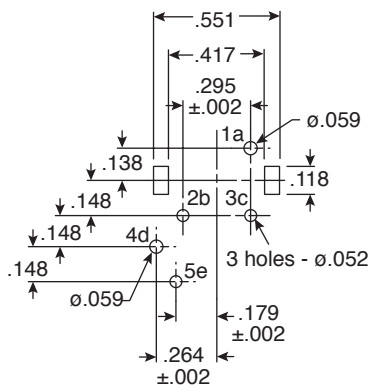
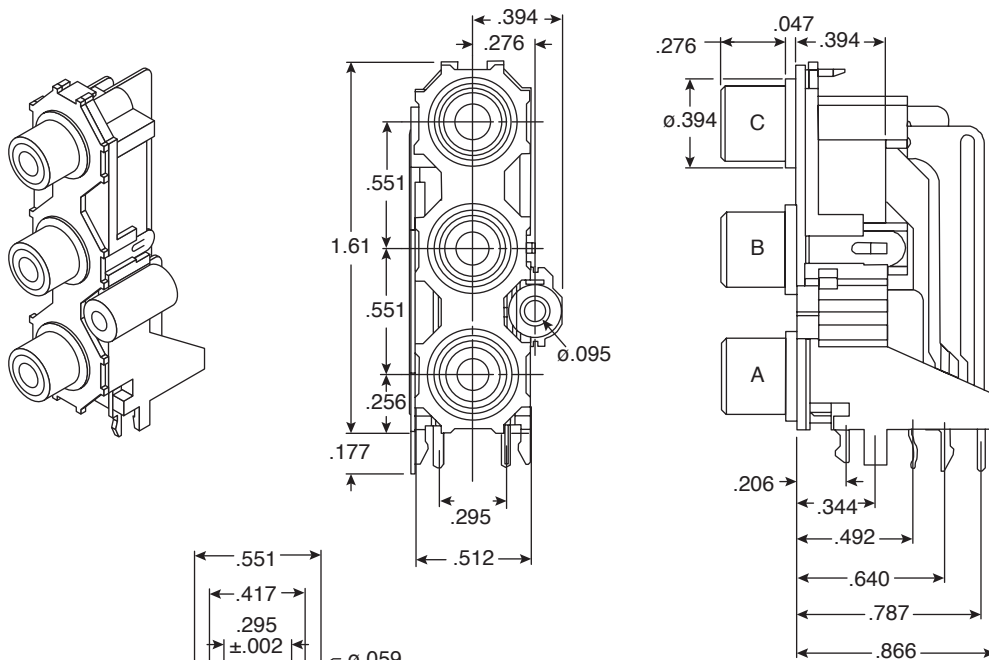


# Triple Phono Jacks

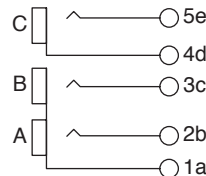
161-4319-E, 161-4320-E, 161-4322-E



Triple Phono Jacks



PCB Hole Layout (Bottom View)



Circuit Diagram

Dimensions: In.

MOUSER STOCK NO.	Colors		
	A	B	C
161-4319-E	Red	White	Yellow
161-4320-E	Red	Green	Blue
161-4322-E	Red	White	Orange

## SPECIFICATIONS

<b>Type:</b>	Vertical Mount Triple Phono
<b>Rating:</b>	2A/34VDC or 34VAC
<b>Temperature:</b>	-25°C ~ +70°C
<b>Contact Resistance:</b>	≤30mΩ
<b>Withstand Voltage:</b>	500VAC for 1 Minute
<b>Insulation Resistance:</b>	≥100MΩ @ 500VDC
<b>Insertion / Extraction Force:</b>	.3Kgf ~ 4Kgf
<b>Wave Soldering Temp.:</b>	230±5° for 3 seconds with 2±.5mm Dip
<b>Terminals:</b>	Tin Plated Brass
<b>Bushing:</b>	Nickel Plated Brass
<b>Housing, Insulation:</b>	ABS

Date Last Revised: 5-31-06

Available from Mouser Electronics  
1-800-346-6873  
www.mouser.com

KC-300966

161-4319-E, 161-4320-E, 161-4322-E