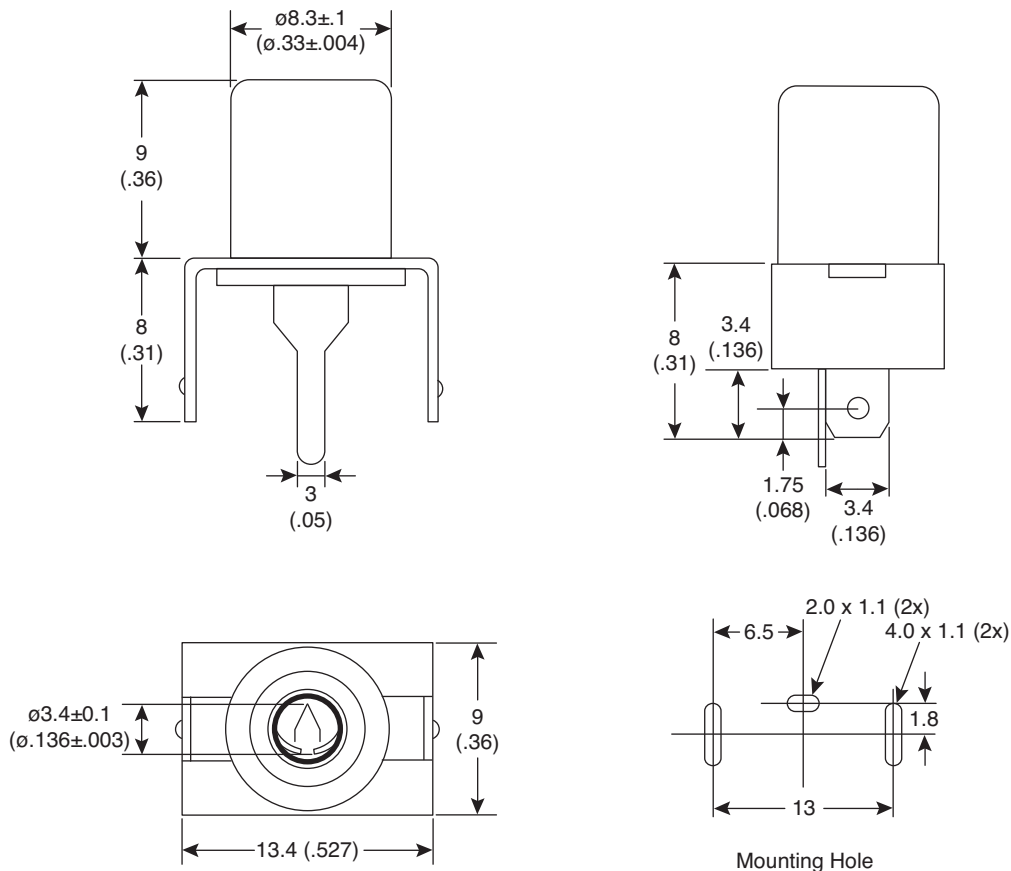


RCA Jack Panel Mount

161-R239A1-E, 161-R239A2-E



RCA Jack Panel Mount Jacks



Dimensions: mm (in.)

Tolerance
 0~6 ± 0.1 (.004)
 6~20 ± 0.2 (.008)
 20~ ± 0.3 (.012)

Mouser Stock No.	Finish
161-R239A1-E	Nickel Plating
161-R239A2-E	Gold Plating

ELECTRICAL SPECIFICATIONS	
Rating:	10A 250VAC
Contact resistance:	50m Ω max.
Insulation resistance:	DC 500V 100M Ω min.
Dielectric strength:	AC 1000V 1 minute

MATERIAL SPECIFICATIONS			
Part	Material	Specification	Finish
Terminal	OSn6.5-0.1Y	T0.3	Ni-Plated
Outer Contact	H62M	T0.4	Ni-Plated
Housing	PBT	-	-
Washer	PBT	-	-
RoHS Compliant			

Date Last Revised: 8/5/09

Available from Mouser Electronics
 1-800-346-6873
www.mouser.com

KC-301081

161-R239A1-E, 161-R239A2-E