

Materials and Finish

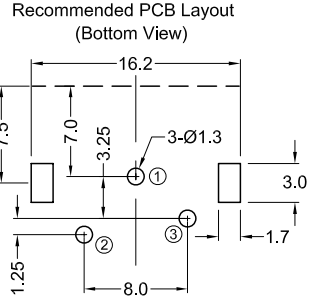
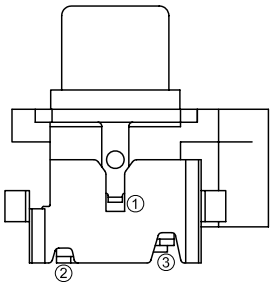
Housing: PBT UL 94V-0
 Color: Black
 Barrel: Brass
 Plating: Nickel Plated
 Terminals: Brass
 Plating: Tin Plated
 Ground pin: Nickel Plated

Electrical Characteristics

Rated Current: 0.3A Max.
 Rated Voltage: 16V DC
 Contact Resistance: 50 milliohms Max.
 Insulation Resistance: 100 Megohms min. at 500V DC
 Withstanding Voltage: 500V AC RMS for 1 minute

Mechanical Characteristics

Insertion Force: 0.3kg - 5.0kg
 Extraction Force: 0.3kg - 5.0kg
 Durability: 1000 mating cycles min.
 Operating Temp: -20°C to +60°C



Part Number	Top Jack Color	Bottom Jack Color
KLP42X-60-W/R	white	red
KLP42X-60-R/W	red	white
KLP42X-60-Y/Y	yellow	yellow
KLP42X-60-B/B	black	black
KLP42X-60-R/R	red	red
KLP42X-60-W/W	white	white
KLP42X-60-W/B	white	black

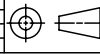
RoHS COMPLIANT
 EU Directive 2002/95/EC

Tolerances
 X.X ± 0.25
 X.XX ± 0.15
 Unless Stated
 Otherwise

REV.	DATE	DESCRIPTION	REV. BY	CHK. BY	DRAWN BY	DATE
A1	6/27/05	New Drawing	N.Chang	C. Furumasa	N.Chang	6/27/05
A2	4/7/06	Release Drawing	H. MA	N/A		
A3	4/26/06	ECO#06-030	H. MA	C. Furumasa		
A4	03/12/08	ECO #08-020	R. Aguirre	H. Ma		
A5	05/27/10	Add Color Option	S. Vien	H. MA		
A6	4/12/11	Add Spec	S. Vien	H. MA		

KLP42X-60-x/x

Stacked RCA Jack , Right Angle
 PCB Mount, RoHS Compliant



UNITS
 mm