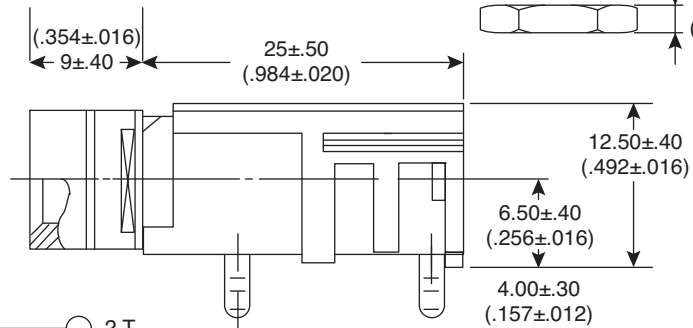
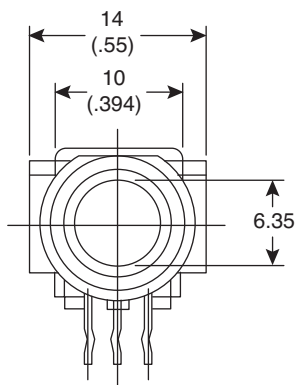
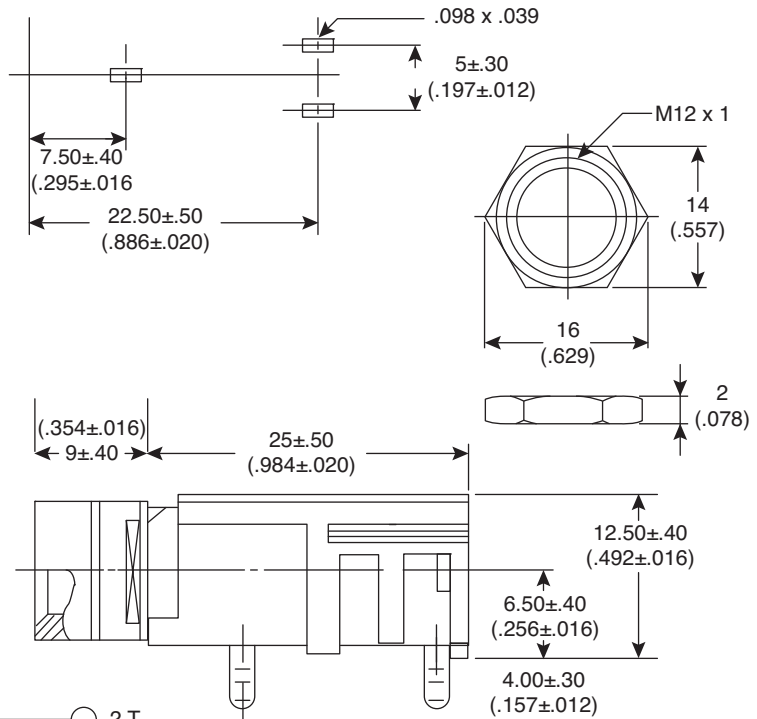
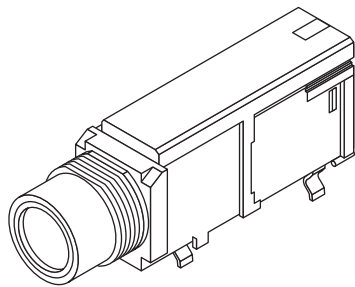


Stereo Jack 6.35mm

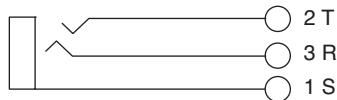
16PJ509

KOBICONN

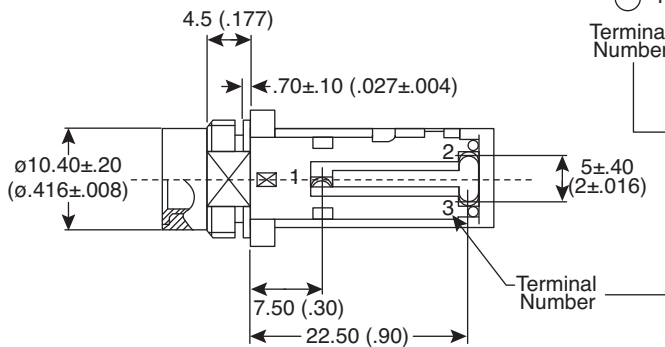
Stereo Jack 6.35mm



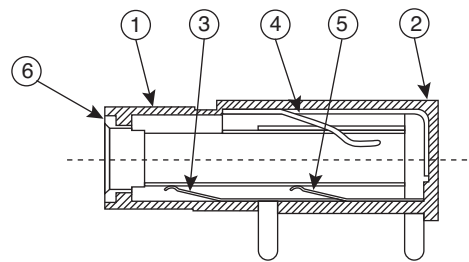
Circuit



Terminal Number



DIMENSIONS: mm (in.)



Inside Mechanism

MECHANICAL SPECIFICATIONS

Soldering heat test: withstand 270°C for 5 seconds

ELECTRICAL SPECIFICATIONS

Contact resistance: 30mΩ max.

Insulation resistance: 100MΩ(min.) @ 500VDC

Insulation withstand: 500VAC for 1 minute

No.	Part Name	Material	Finish
1	Housing	PPHOX	N/A
2	Cover	PPHOX	N/A
3	Earth Contact	Phosphor Bronze	Silver Plated
4	Tip Contact	Phosphor Bronze	Silver Plated
5	Ring Contact	Phosphor Bronze	Silver Plated
6	Sleeve	Brass	Nickel Plated

Date Last Revised: 05/27/10

Available from Mouser Electronics
1-800-346-6873 / www.mouser.com

KC-300157

Specifications are subject to change without notice. No liability or warranty implied by this information. Environmental compliance based on producer documentation.

16PJ509