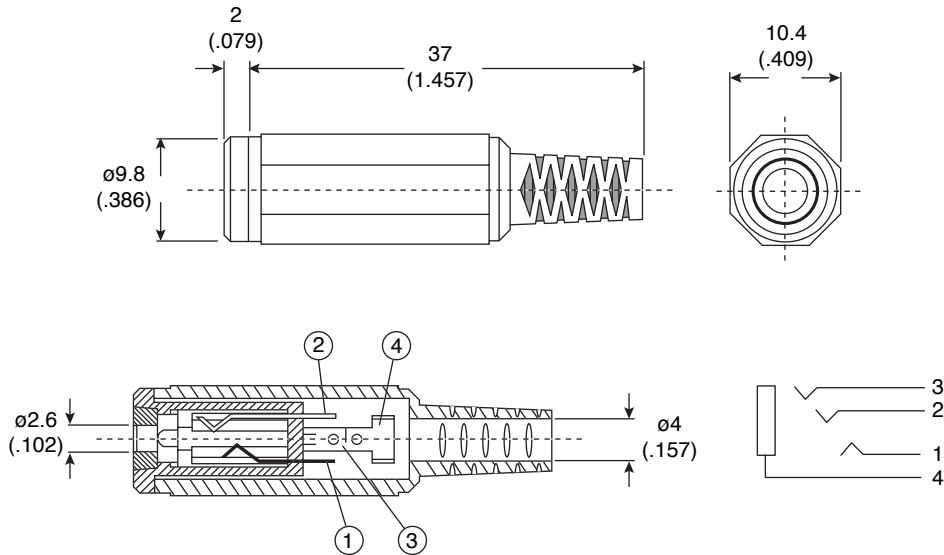


# 4 Conductor Sub-Miniature Jack

161-6425-EX



4 Conductor Sub-Miniature Jack



**DIMENSIONS: mm (In.)**

SPECIFICATIONS	
<b>Dielectric strength:</b>	500V AC for one minute
<b>Contact resistance:</b>	50mΩ max.
<b>Insulation resistance:</b>	100MΩ min. at 500V DC
<b>Cap:</b>	PE
<b>Body:</b>	PA
<b>Contacts:</b>	nickel plated brass
RoHS Compliant by Exemption	

Date Last Revised: 12-8-05

Available from Mouser Electronics  
1-800-346-6873  
www.mouser.com

KC-300957

161-6425-EX