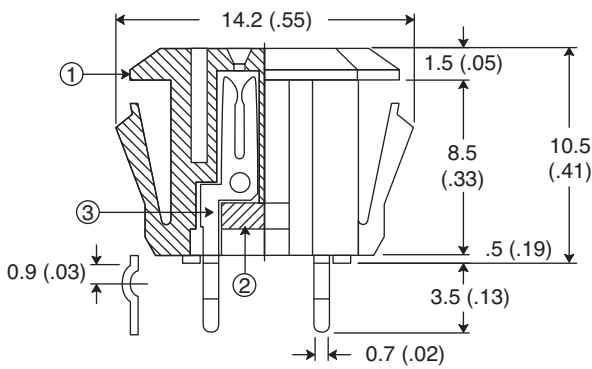
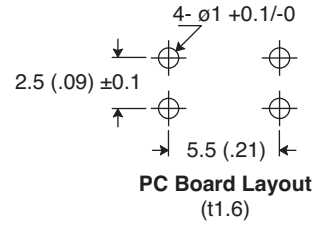
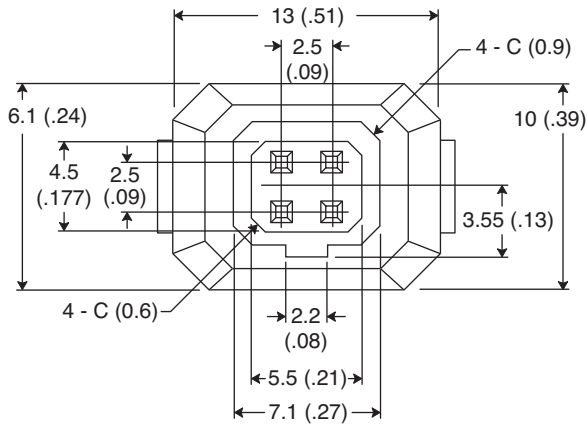


Panel Mount Iris Connector for PCB

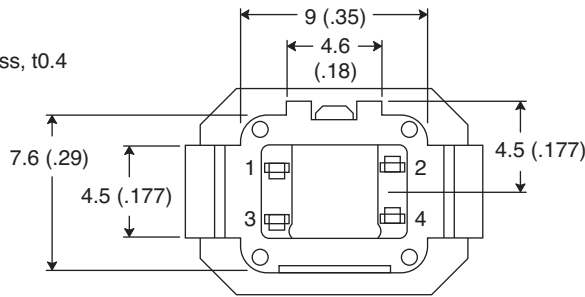
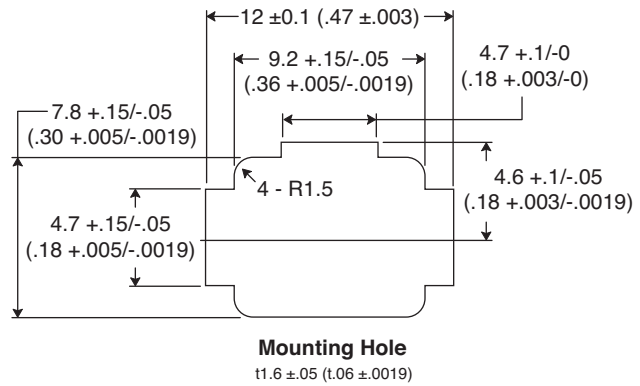
163-156N-2-E



Panel Mount Iris Connector for PCB



- 1. Body, PA
- 2. Base, PF
- 3. Contact. Brass, t0.4



Dimensions: mm (in.)

SPECIFICATIONS
RoHS Compliant

ELECTRICAL SPECIFICATIONS	
Rating:	0.5A 30VDC
Flammability Rating:	94V-0
Withstand Voltage:	150VAC for 1 minute
Contact Resistance:	20m Ω Max.
Insulation Resistance:	100 VDC, 100M Ω above
Operation Temperature:	-10°C ~ +70°C

Date Last Revised: 5-26-09

Available from Mouser Electronics
1-800-346-6873 / www.mouser.com

KC- 300932

163-156N-2-E

Specifications are subject to change without notice. No liability or warranty implied by this information. Environmental compliance based on producer documentation.