

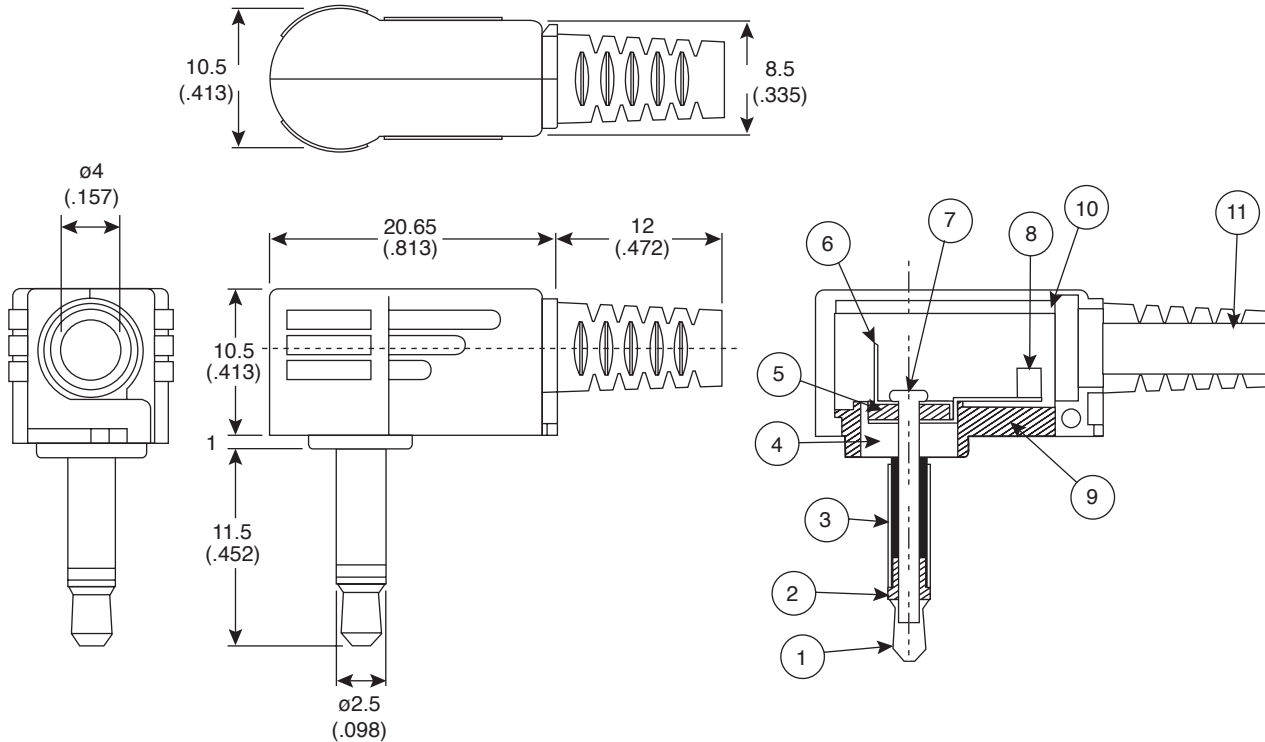
2.5mm Right Angle Mono Plug

171-0250-EX



2.5mm Right Angle Mono Plug

171-0250-EX



Dimensions: mm (In)

SPECIFICATIONS
RoHS Compliant by Exemption

MATERIALS				
No.	Part Name	Qty.	Material	Finish
1	Tip	1	Brass	Ni
2	Insulator A	1	Ebonite	---
3	Insulator Tube	1	PVC	---
4	Sleeve	1	Brass	Ni
5	Insulator B	1	Phoenol	---
6	Center Terminal	1	Brass	Ni
7	Nail	1	Steel	Cu-Ni
8	Solder Terminal	1	Steel	Cu-Ni
9	Insulator C	1	PC	---
10	Housing	1	PP	---
11	Strain Relief	1	PVC	---

Date Last Revised: 12-26-05

Available from Mouser Electronics
1-800-346-6873
www.mouser.com

KC-300880