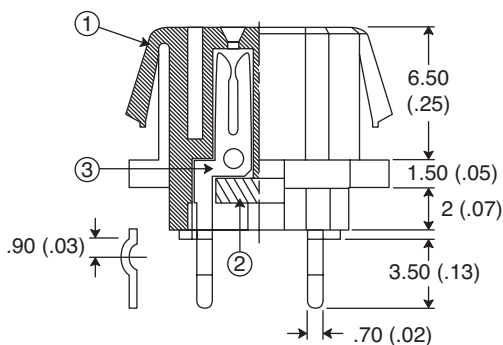
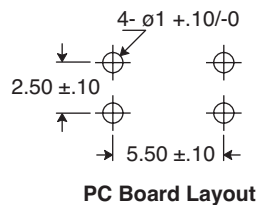
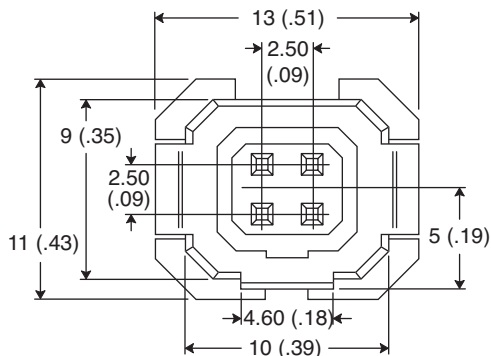


# Panel Mount Iris Connector for PCB

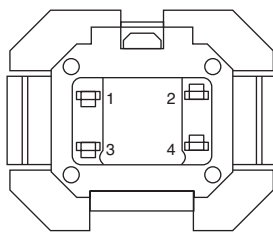
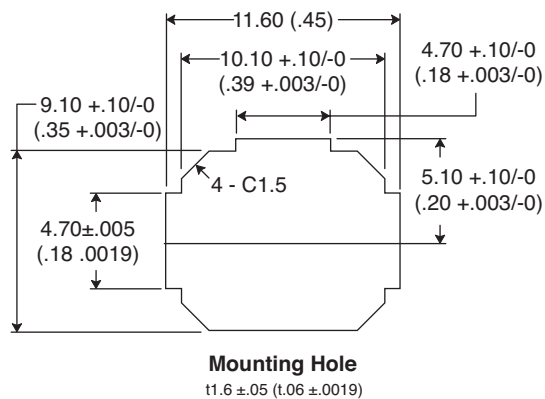
163-158N-2-E



Panel Mount Iris Connector for PCB



- 1. Body, PA
- 2. Base, PF
- 3. Contact. Brass, t0.4



Dimensions: mm (In.)

## SPECIFICATIONS

RoHS Compliant

## ELECTRICAL SPECIFICATIONS

<b>Rating:</b>	0.5A 30VDC
<b>Withstand Voltage:</b>	150VAC for 1 minute
<b>Contact Resistance:</b>	20m Ω Max.
<b>Insulation Resistance:</b>	100 VDC, 100M Ω above
<b>Operation Temperature:</b>	-10°C ~ +70°C

Date Last Revised: 12-08-05

Available from Mouser Electronics  
1-800-346-6873  
www.mouser.com

KC- 300933

163-158N-2-E