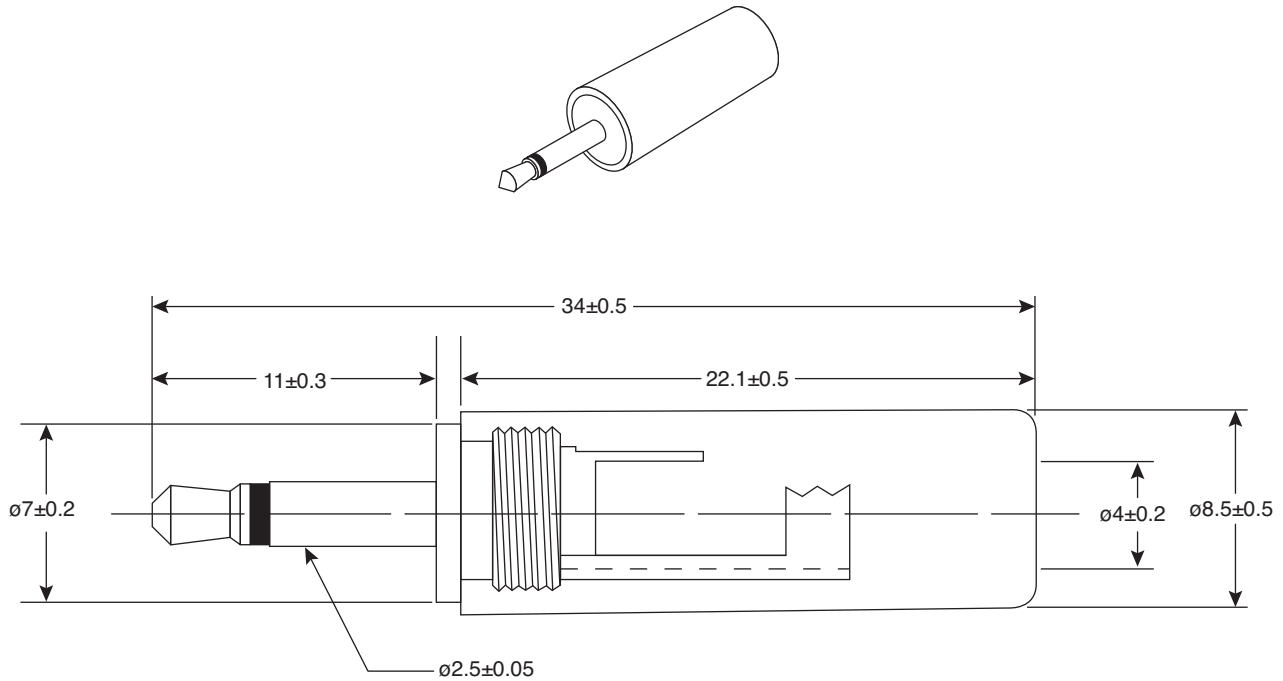


# 2.5mm Mono Plug

17PP095



2.5mm Mono Plug



Dimensions: mm

SPECIFICATIONS	
Type:	2.5mm Unshielded Mono Phone
Handle:	ABS
Tip Insulator:	Polyoxymethylene (POM)
Color:	Black
Plug, Tip, Terminals:	Nickel Plated Brass
Terminal Insulator:	Phenolic Resin Board

Date Last Revised: 4-18-05

Available from Mouser Electronics  
1-800-346-6873  
www.mouser.com

KC-300539

17PP095