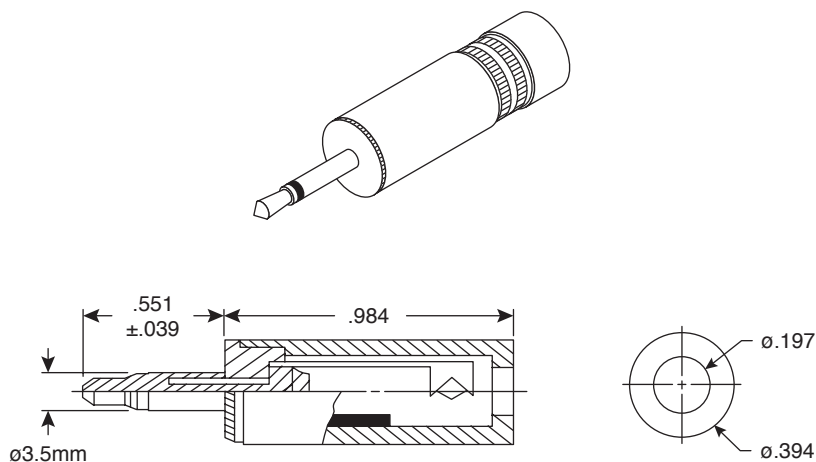


3.5mm Shielded Mono Phone Plug

171-1041



3.5mm Shielded Mono Phone Plug



Dimensions: In.

SPECIFICATIONS	
Type:	3.5mm Shielded Mono
Withstand Voltage:	500VAC for 1 Minute
Contact Resistance:	10mΩ max.
Insulation Resistance:	100MΩ min. @ 500VDC
Temperature Rating:	80°C
Tip & Sleeve:	Nickel Plated Brass
Handle & Terminals:	Nickel Plated Brass
Tip Insulator:	Noryl
Terminal Insulator:	Phenol

Date Last Revised: 10-17-05

Available from Mouser Electronics
1-800-346-6873
www.mouser.com

KC-300528

171-1041