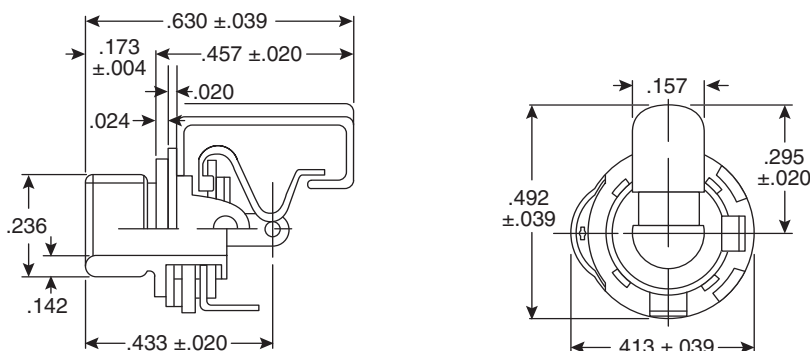
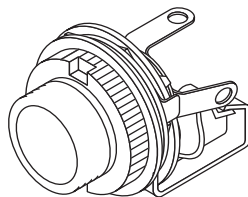


Mono Phone Jack

16PJ011



Mono Phone Jack



DIMENSIONS: In.

| SPECIFICATIONS | |
|---------------------------------|---|
| Type: | 3.5mm phone, chassis mount w/N/C switch |
| Insertion force: | < 3Kg. |
| Dielectric voltage: | 500VAC for 1 minute |
| Insulation resistance: | 100MΩ min. @ 500VDC |
| Contact resistance: | 50mΩ max. |
| Bushing, nut, washer: | nickel plated brass |
| Terminals, outer spring: | silver plated brass |
| Insulators: | phenol |
| Inner spring: | silver plated copper alloy |
| Bushing: | 6mm P 0.5 |

Date Last Revised: 4-4-05

Available from Mouser Electronics
1-800-346-6873
www.mouser.com

KC-300413

16PJ011