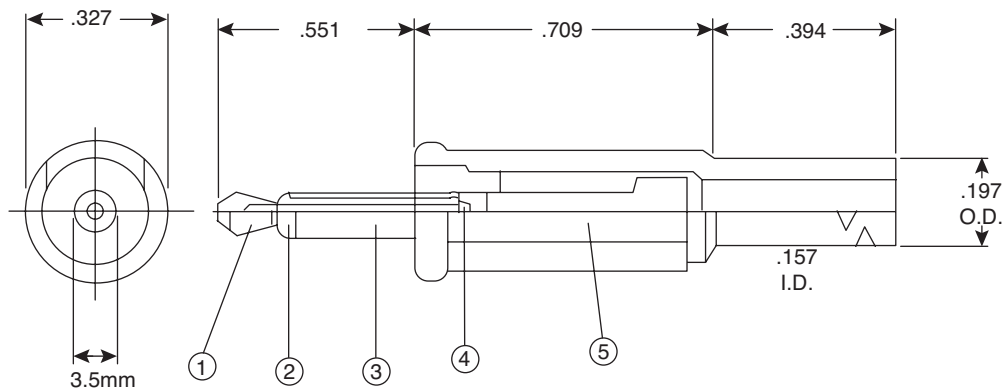
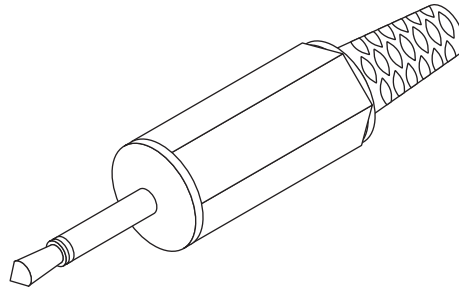


# 3.5mm Mono Phone Plug

171-3302-EX



3.5mm Mono Phone Plug



Dimensions: In.

SPECIFICATIONS	
<b>Temperature Rating:</b>	80°C
<b>Breakdown Voltage:</b>	500VAC for 1 Minute
<b>Insulation Resistance:</b>	100MΩ @ 500VDC
<b>Contact Resistance:</b>	50mΩ max.
<b>Life Time:</b>	10,000 Cycles min.
RoHS Compliant by Exemption	

MATERIALS		
Part No.	Part	Plating
1	Tip	Nickel Plated Brass
2	Insulator	ABS
3	Sleeve	Nickel Plated Brass
4	Tip Terminal	Nickel Plated Copper
5	Cap	PP
6	Sleeve Terminal	Nickel Plated Brass

171-3302-EX

Date Last Revised: 12-21-05

Available from Mouser Electronics  
1-800-346-6873  
www.mouser.com

KC-300888

Specifications are subject to change without notice. No liability or warranty implied by this information. Environmental compliance based on producer documentation.