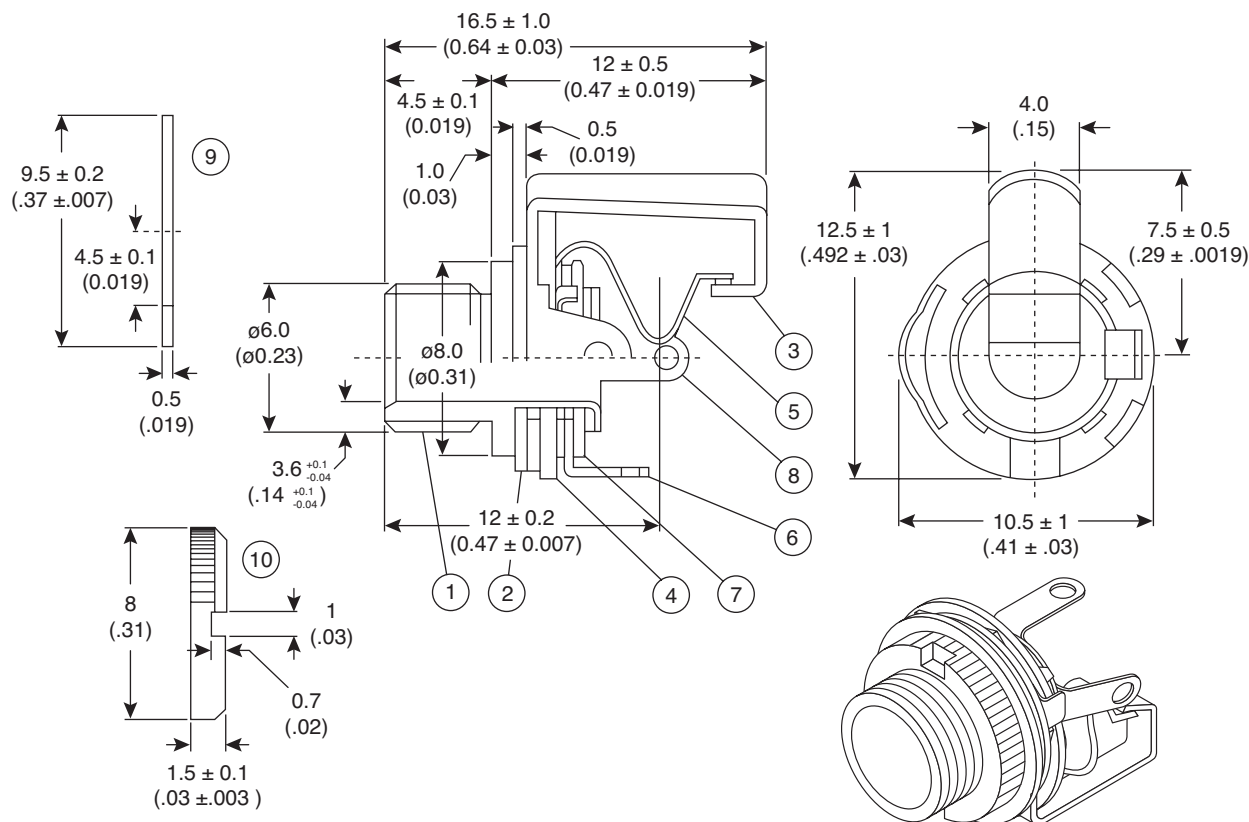


2 Conductor Mini Mono Jack Closed Circuit (3.50 - 2)

161-MJ153-EX

KOBICONN

2 Conductor Mini Mono Jack Closed Circuit (3.50 - 4)



Dimensions: mm (IN.)

No.	Part Name	Material	Finish
1	Sleeve	BSBM2	Ni-3
2	Insulation washer A	PL - PEM 0.5	-
3	Terminal A	BSR2 0.5	AG-3
4	Insulation washer B	PL-PEM 0.8	-
5	Terminal B	BEALLOY 0.27	AG-3
6	Insulation Terminal	BSR2 0.25	AG-3
7	Insulation washer c	PL-PEM 0.5	-
8	Sleeve	BSR2 0.25	AG-3
9	Washer	BSR2 0.5	Ni-3
10	Nut	BSBM2	Ni-3

SPECIFICATIONS

RoHS Compliant by Exemption

Date Last Revised: 12-12-05

Available from Mouser Electronics
1-800-346-6873
www.mouser.com

KC- 300847

161-MJ153-EX