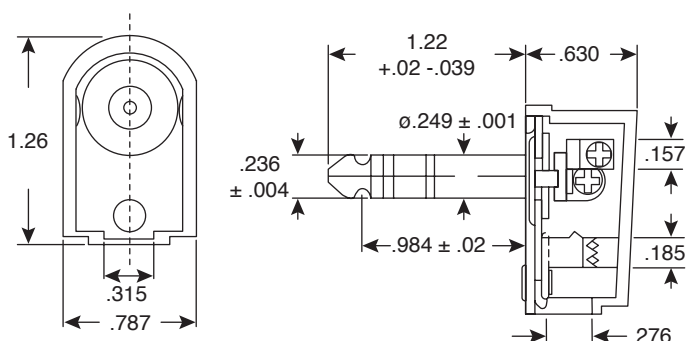
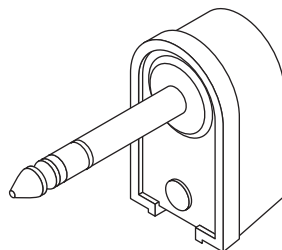


# 1/4" Stereo Phone Plug

17PP071-EX

**KOBI**CONN

1/4" Stereo Phone Plug



DIMENSIONS IN.

## SPECIFICATIONS

<b>Type:</b>	non-shielded 1/4" stereo plug
<b>Breakdown Voltage:</b>	500VAC for 1 minute
<b>Insulation Resistance:</b>	100M $\Omega$ min. @ 500VDC
<b>Contact Resistance:</b>	50m $\Omega$ max.
<b>Life:</b>	10,000 cycles min.
<b>Tip, Ring, Sleeve:</b>	nickel plated steel
<b>Tip Insulators:</b>	ebonite
<b>Terminal Insulators:</b>	phenol
<b>Terminals, Frame, Screw:</b>	nickel plated steel
<b>Cap:</b>	polypropylene
RoHS Compliant by Exemption	

Date Last Revised: 12-21-05

Available from Mouser Electronics  
1-800-346-6873  
www.mouser.com

KC-300903

171PP071-EX