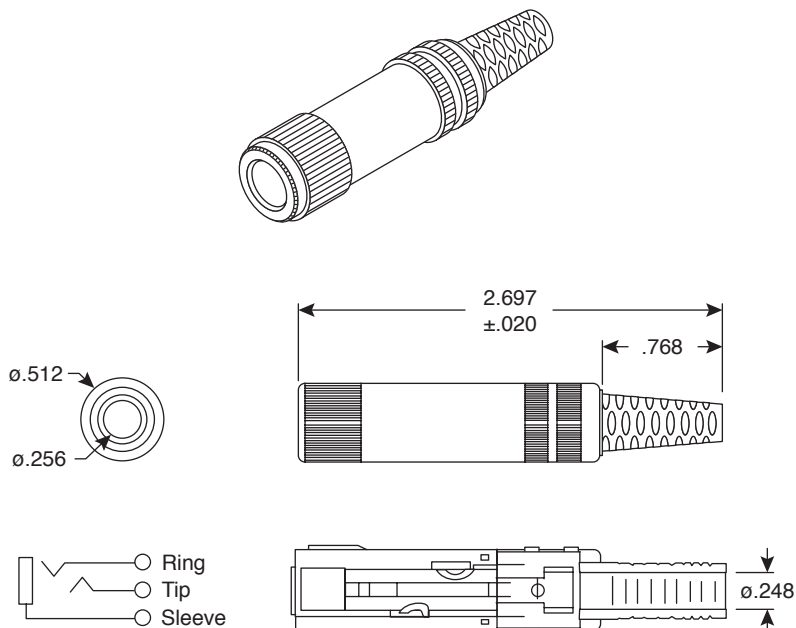


1/4" In-Line Stereo Jack

161-1300-EX



1/4" In-Line Stereo Jack



Dimensions: In.

SPECIFICATIONS	
Type:	1/4" In-Line Stereo, Shielded with Strain Relief
Breakdown Voltage:	250VAC for 1 Minute
Insulation Resistance:	50MΩ @ 100VDC
Contact Resistance:	50mΩ max.
Cap, Sleeve:	Nickel Plated Brass
Tip Contact:	Nickel Plated Phosphor Bronze
Sleeve Contact:	Nickel Plated Steel
Ring Contact:	Gold Plated Phosphor Bronze
Insulator:	Polyphenyleneoxide
Strain Relief:	PVC, Black
RoHS Compliant by Exemption	

Date Last Revised: 12-9-05

Available from Mouser Electronics
1-800-346-6873
www.mouser.com

KC-300858

161-1300-EX